

* = Recommended Spare Parts

Type : CB 2x40, CB1x40 L/R, CB 40
 Artikel : 10750, 10755, 10760, 10765

From mach. nr. : 1O 0001
 Date : 01-2006

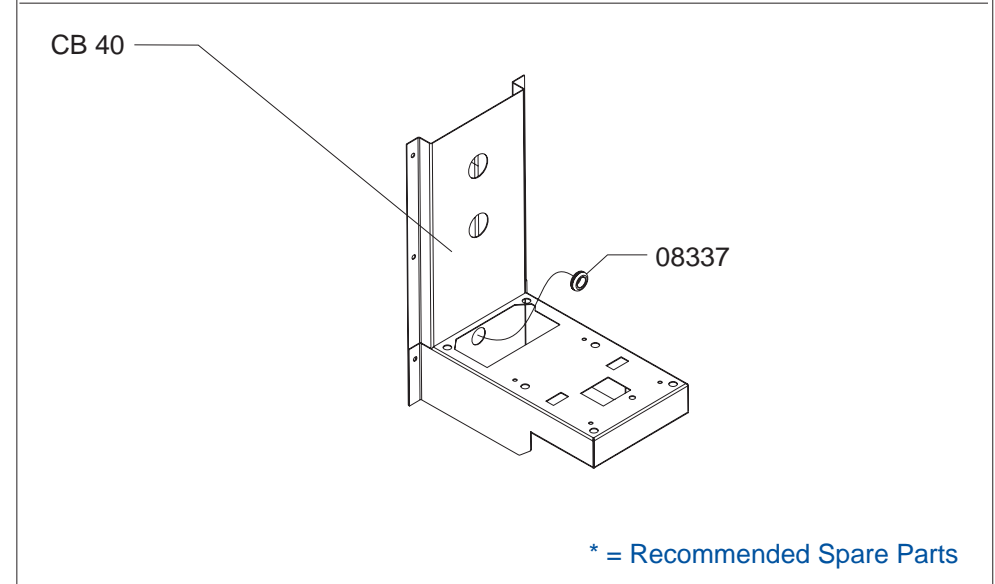
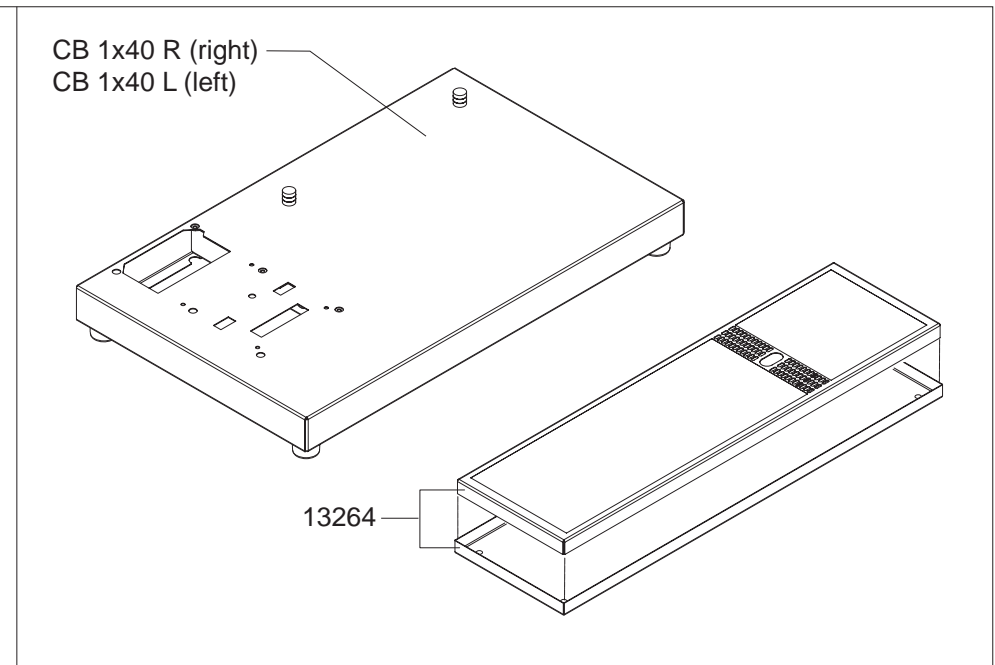
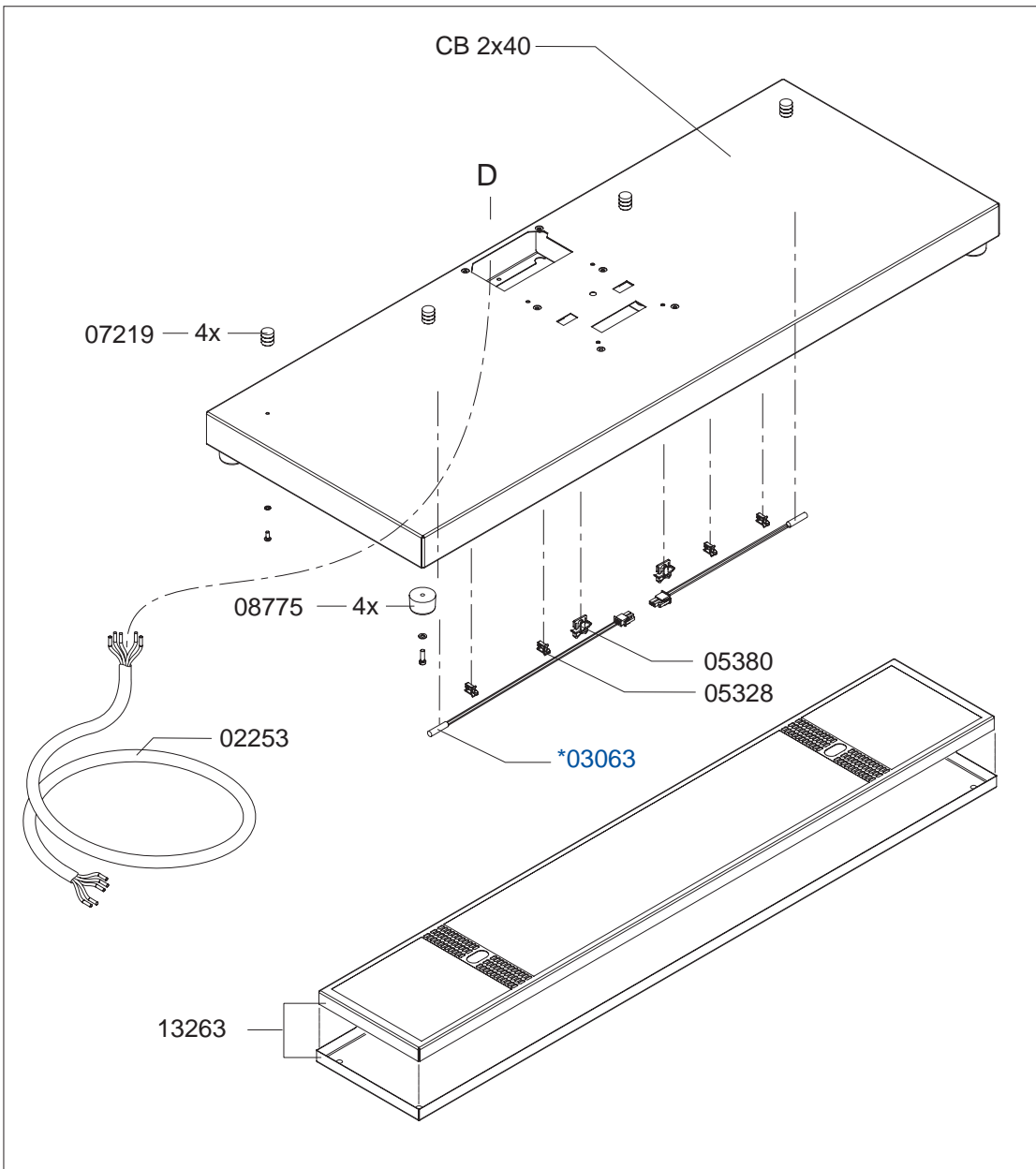
Page : 1-4
 Rev. : 0

Drawer: MT
 Date : 03-04-2006

Rated voltage : 3N~380-415V 50-60Hz 18.200W

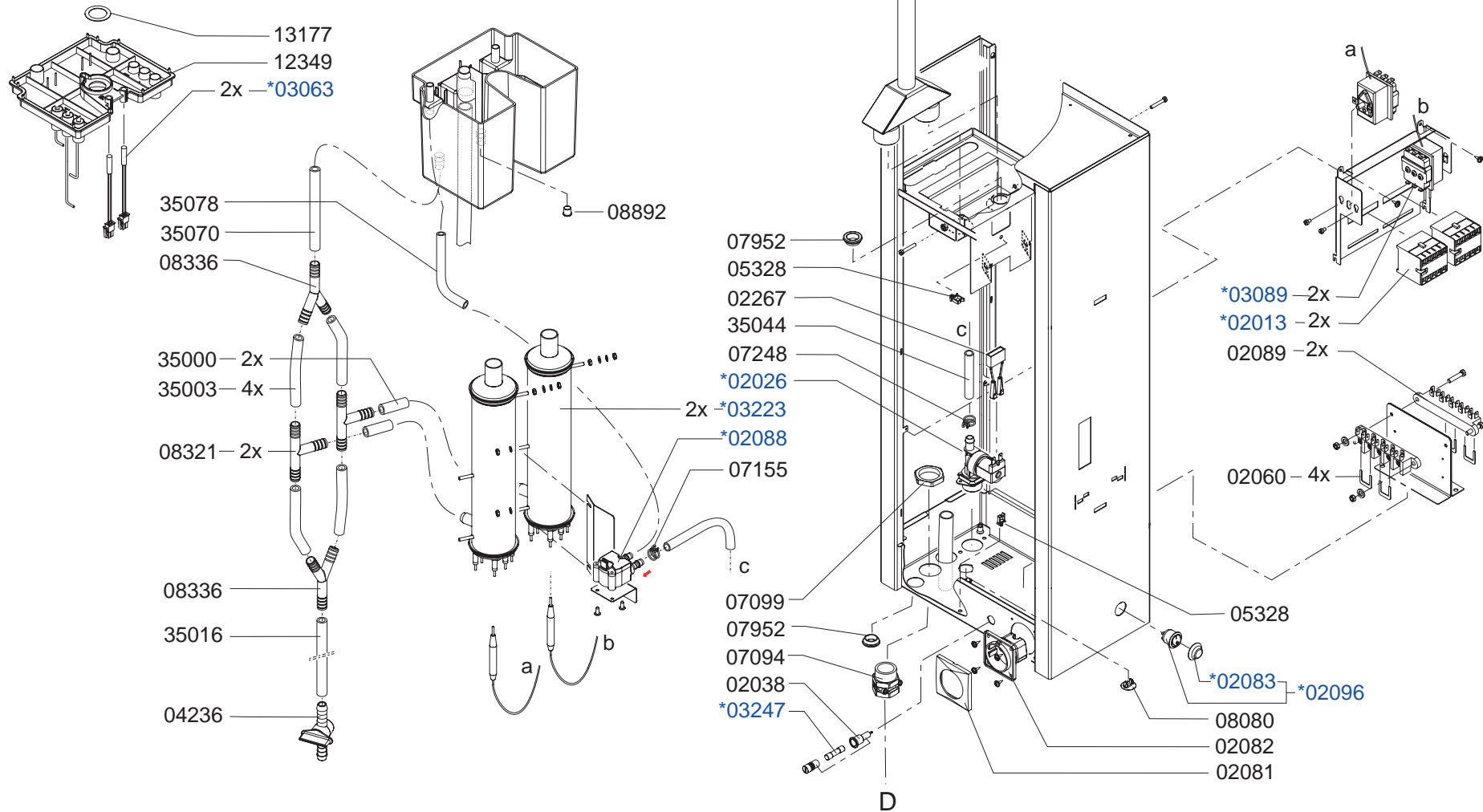
Spare Parts Info

***** **Animo** *****
Assen - Holland



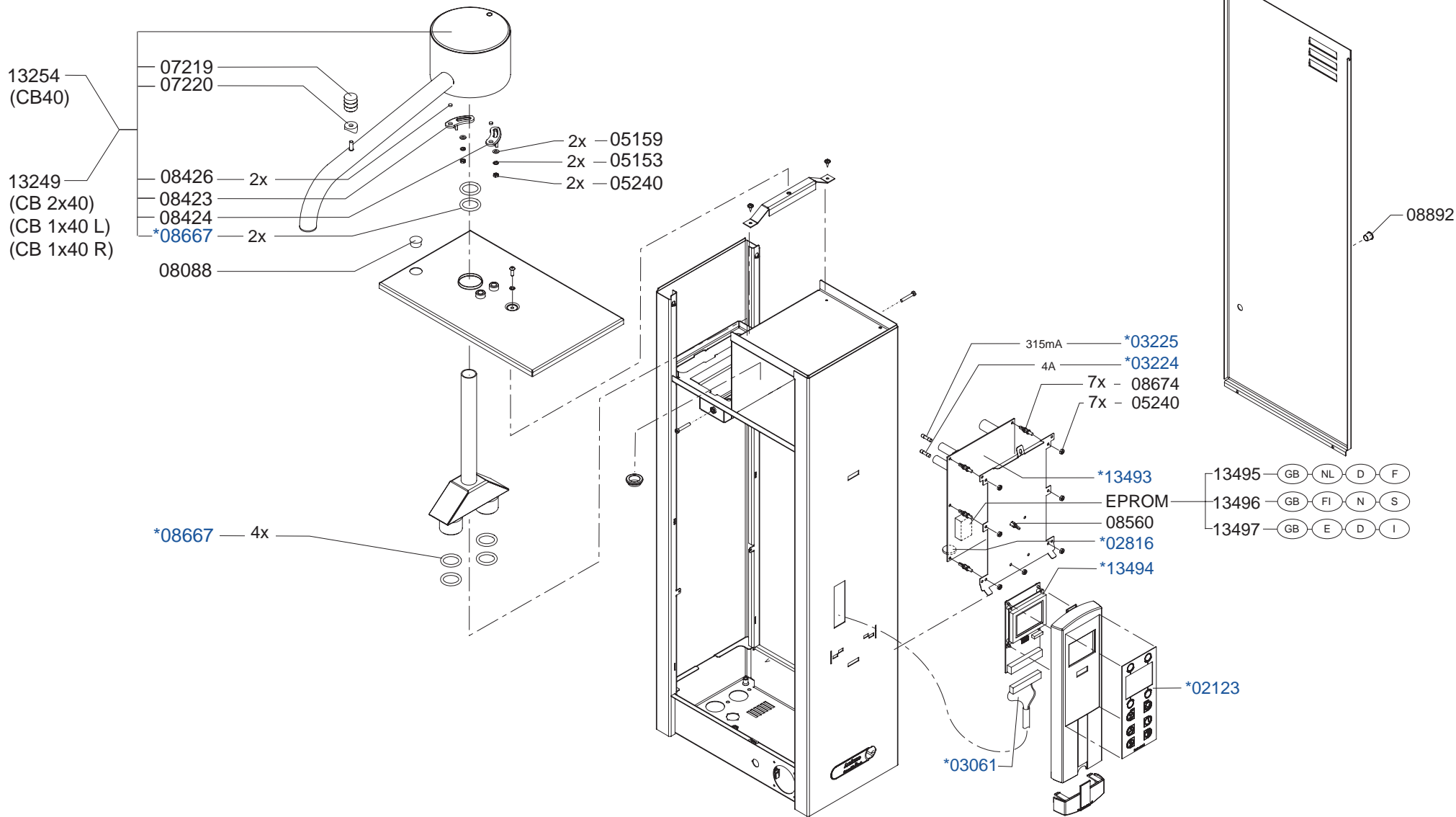
* = Recommended Spare Parts

| | | | | | | | |
|---------------|-------------------------------|-------------------------|------------|--|-------|---------|--------------|
| Type | : CB 2x40, CB1x40 L/R, CB 40 | From mach. nr. | : 1P 00244 | Page | : 2-4 | Drawer: | MT |
| Artikel | : 10750, 10755, 10760, 10765 | Date | : 01-2006 | Rev. | : 0 | Date | : 03-04-2006 |
| Rated voltage | : 3N~380-415V 50-60Hz 18.200W | Spare Parts Info | | ***** Animo ***** Assen - Holland | | | |



* = Recommended Spare Parts

| | | | | | | | |
|---------------|-------------------------------|-------------------------|------------|--|-------|---------|--------------|
| Type | : CB 2x40, CB1x40 L/R, CB 40 | From mach. nr. | : 1P 00244 | Page | : 3-4 | Drawer: | MT |
| Artikel | : 10750, 10755, 10760, 10765 | Date | : 01-2006 | Rev. | : 0 | Date | : 03-04-2006 |
| Rated voltage | : 3N~380-415V 50-60Hz 18.200W | Spare Parts Info | | ***** Animo ***** Assen - Holland | | | |



* = Recommended Spare Parts

Type : CB 2x40, CB1x40 L/R, CB 40
Artikel : 10750, 10755, 10760, 10765

From mach. nr. : 1P 00244
Date : 01-2006

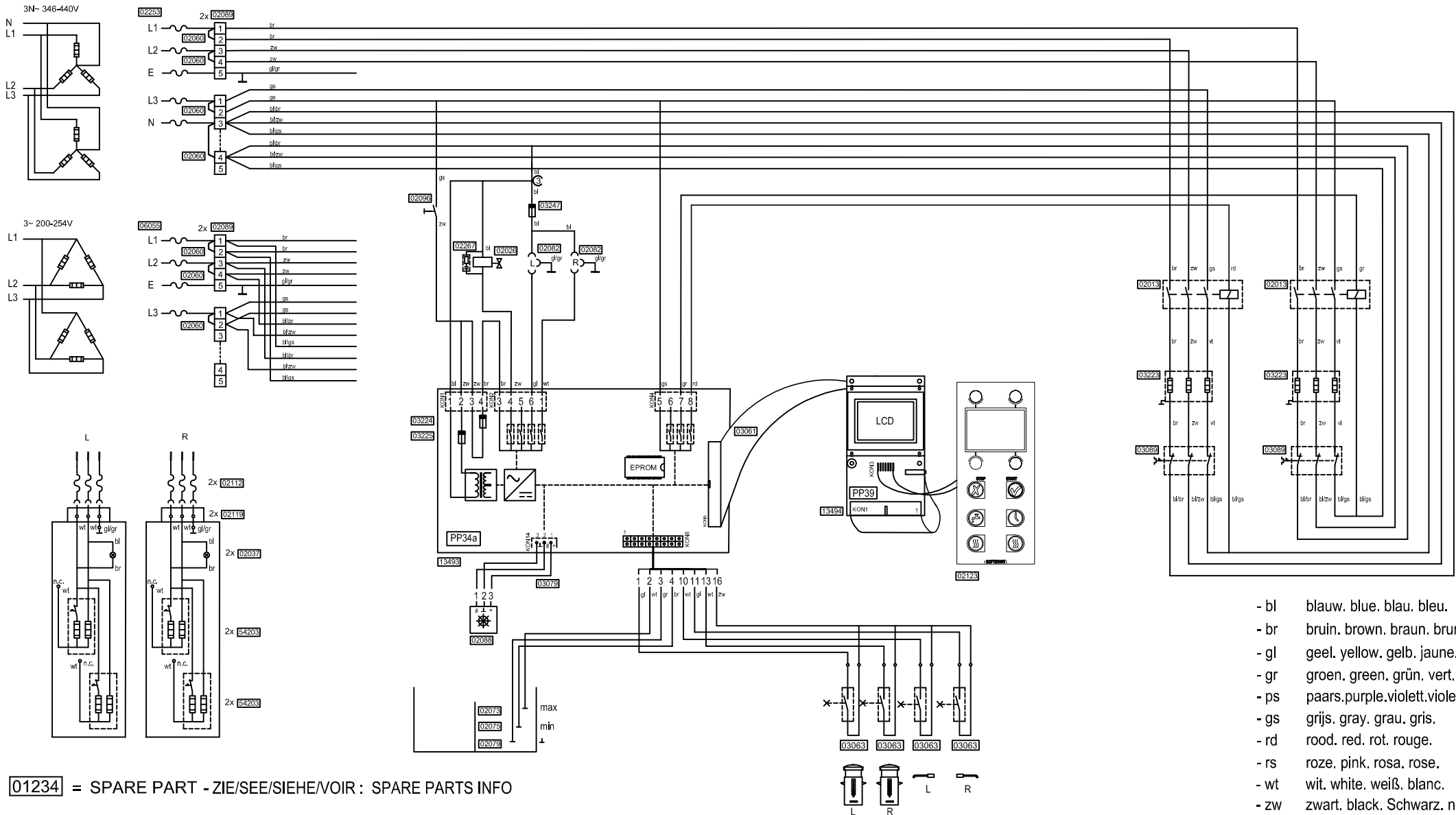
Page : 3-4
Rev. : 0

Drawer: MT
Date : 03-04-2006

Rated voltage : 3N~380-415V 50-60Hz 18.200W

Spare Parts Info

***** **Animo** *****
Assen - Holland



Type : CB 2x40

Artikel : 10750

Rated voltage: 3N~ 380-415V 50-60Hz 18200W

From mach.nr. : 1P0001

Date : 01-06

CIRCUIT DIAGRAM

Page : 1/1

Rev. : 1 030506

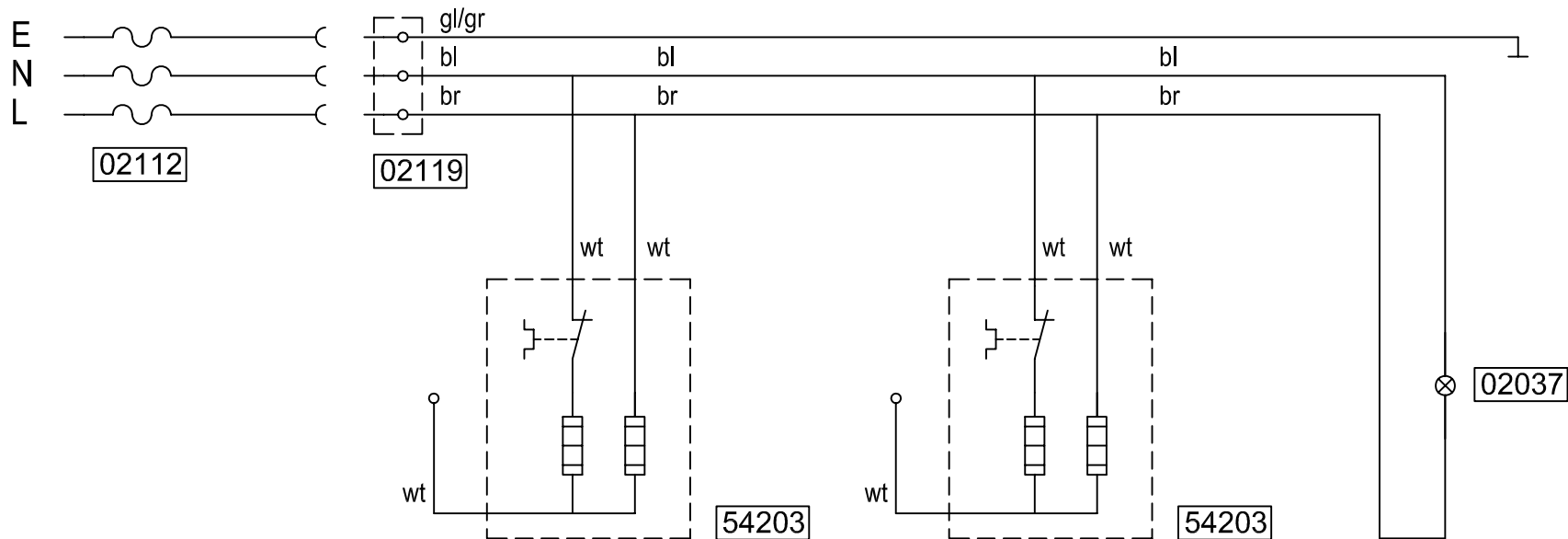
Animo
Assen Holland

Drawer : J.S.

Date : 20-12-05

Checked : *[Signature]*

Drawing nr. : S10750



- zie exploded view / onderdelenlijst
- see exploded view / sparepartslist
- siehe Explosionszeichnung / Ersatzteilliste
- voir dessin explosé / liste des pièces de rechange

- bl blauw. blue. blau. bleu.
- br bruin. brown. braun. brun.
- gl geel. yellow. gelb. jaune.
- gr groen. green. grün. vert.
- ps paars. purple. violett. violet
- gs grijs. gray. grau. gris.
- rd rood. red. rot. rouge.
- rs roze. pink. rosa. rose.
- wt wit. white. weiß. blanc.
- zw zwart. black. Schwarz. noir

Type : CN40e

Artikel : 51140

From mach.nr. : 1P00001

Date : 01-06

Page : 1/1

Rev. :

Drawer : J.S.

Date : 19-12-05

Checked : *[Signature]*

Drawing nr. : S51140

Rated voltage: 1N~ 220-240V 50-60Hz 140W

CIRCUIT DIAGRAM

Animo
Assen Holland