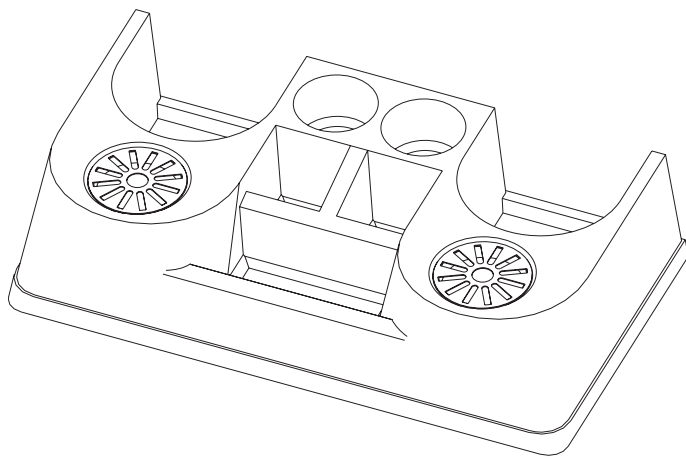


ANIMO

Thermoskan-buffet
Thermos jug buffet
Servierstation
Présentoir pour thermos



gebruiksaanwijzing
user manual
betriebsanleitung
mode d'emploi

THERMOS JUG BUFFET

GB MANUAL

Thermos jug buffet

GENERAL DESCRIPTION

Two thermos jugs with pump can be placed on this conveniently arranged thermos jug buffet. The thermos jug buffet is provided with two removable drip trays with grid of stainless steel. The buffet gives also room to for instance cups, an evaporated milk bottle, sugar and tea bags, cookies and stirring spoons, so that everything can be kept at hand.

See drawing

1. Drip trays with grid.
2. Space for two thermos jugs with pump.
3. Round compartment for cups and/or evaporated milk bottle.
4. Compartments for ingredients among other things.

The box consists of:

Synthetic buffet
Drip trays with grid (2x)
Service manual

TECHNICAL DETAILS

Article number : 10425
Synthetic material : Polystyreen (PS)
Colour : Black
Grids (art. no. 63115) : Stainless Steel
Dimensions LxWxH : 350 x 650 x 155 mm
Dimensions compartments :
A (2x) : L x W x H = aprox. 80 x 80 x 70mm
B : L x W x H = aprox. 180 x 80 x 70mm
C (2x) : ø x H = aprox. 85 x 60mm
D (2x) : ø 170mm
Weight : 1,7 kg

USE

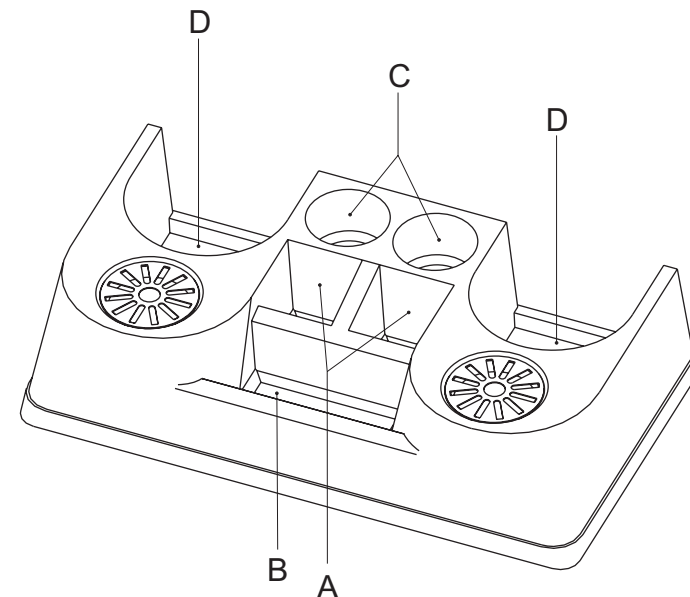
Place the buffet on a flat and firm surface.
Put the thermos jug into place.
Use the round compartments for cups and/or a evaporated milk bottle.
Use the rest of the compartments for things such as sugar and tea bags, cookies and stirring spoons.

MAINTENANCE

Clean the synthetic material with a mild cleaner.
Do not clean it in a dishwasher.
Do not use any abrasives, because of the chance of dull spots.

DAILY CLEANING

Clean the drip trays with grid and the cavity below the grids.



ANIMO

Animo B.V.
Dr. A. F. Philipsweg 47
P.O. Box 71
9400 AB Assen
The Netherlands

Tel: +31 (0) 592 376376
Fax: +31 (0) 592 341751
E-mail: info@animo.nl

www.animo.eu