

The WKI range makes constant hot water always available. The water boilers of this range are meant for wall mounting, which makes them ideal for saving counter space. They are flexible in use. Water is drawn off as needed without loss of temperature.

BENEFITS



QUANTITY

- + Capacity 10, 20, 40, 60 and 80 litres
- + Large volumes can be supplied without any problems (flow 6 to 9 seconds per litre)
- + Level glass
- + On/off refill function



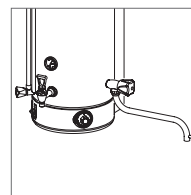
FEATURES

- + For wall mounting
- + Adjustable thermostat 0-97°C
- + Fixed water connection
- + Stainless steel 18/9
- + Marine voltages available
- + Can be supplied with different heating elements / power supplies

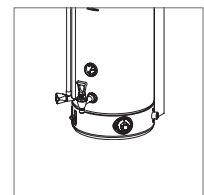
OPTIONS



- + To fix 2 swivel arms on the WKI.



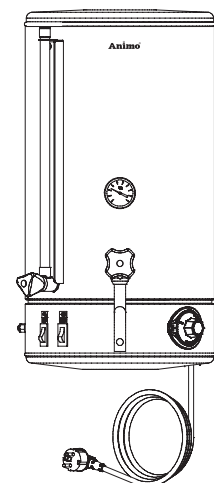
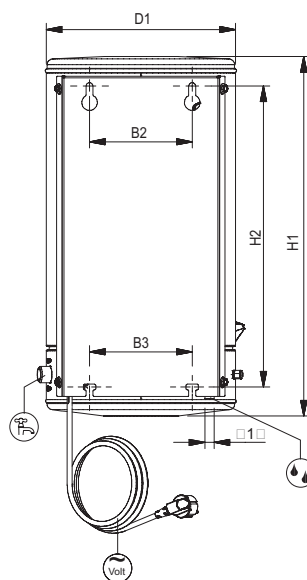
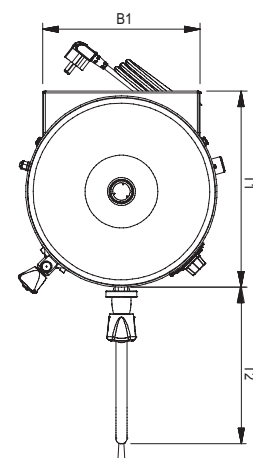
- + No-drip tap at the front, swivel arm left, right, or both.



- + No-drip tap at the front, no swivel arm

MODEL	WKI 10n	WKI 20n 3kW	WKI 20n 6kW
Article number	30110	30115	30120
Buffer stock hot water	10 ltr. / 80 cups	20 ltr. / 160 cups	20 ltr. / 160 cups
Hour capacity hot water	30 ltr. / 240 cups	30 ltr. / 240 cups	60 ltr. / 480 cups
Heating time 20 - 97°	24 min.	45 min.	23 min.
Tapping speed	6-9 sec./ltr.	6-9 sec./ltr.	6-9 sec./ltr.
Electrical connection	1N-220-240V/ 3.2kW/50-60Cy	1N-220-240V/ 3.2kW/50-60Cy	3N-380-415V/ 6.6kW/50-60Cy
Fuse 1N-220-240V	16A	16A	-
Fuse 3N-380-415V	-	-	3x10A
Fuse N-230V	-	3x20A	3x20A
Cold water connection	3/4"	3/4"	3/4"
Min. - Max. pressure	1-8 bar	1-8 bar	1-8 bar
Overflow connection	Ø15 mm	Ø15 mm	Ø15 mm
Cord length	1.3 m	1.3 m	1.3 m
Weight empty	8 kg	11 kg	11 kg
filled	19 kg	33 kg	33 kg
Marine executions	1N-110-120V/ 1.2kW/50-60Cy	1N-110-120V/ 1.2kW/50-60Cy	3-220V/ 6.6kW/50-60Cy
	1N-110-120V/ 2.4kW/50-60Cy	1N-110-120V/ 2.4kW/50-60Cy	3-380V/ 6kW/50-60Cy
	1N-110-120V/ 3.2kW/50-60Cy	1N-110-120V/ 3.2kW/50-60Cy	3-440V/ 6kW/50-60Cy
	2-380V/ 3kW/50-60Cy	2-380V/ 3kW/50-60Cy	
	3-440V/ 3kW/50-60Cy	3-440V/ 3kW/50-60Cy	

MODEL	WKI 40n	WKI 60n	WKI 80n
Article number	30125	30130	30135
Buffer stock hot water	40 ltr. / 320 cups	60 ltr. / 480 cups	80 ltr. / 640 cups
Hour capacity hot water	90 ltr. / 720 cups	90 ltr. / 720 cups	180 ltr. / 1440 cups
Heating time 20 - 97°	23 min.	35 min.	25 min.
Tapping speed	6-9 sec./ltr.	6-9 sec./ltr.	6-9 sec./ltr.
Electrical connection	3N-380-415V/ 9.6 kW/50-60Cy	3N-380-415V/ 9.6 kW/50-60Cy	3N-380-415V/ 19.2 kW/50-60Cy
Fuse 1N-220-240V	3x 16A	3x 16A	3x 16A
Fuse 3N-380-415V	3x 35A	3x 35A	3x 35A
Cold water connection	3/4"	3/4"	3/4"
Min. - Max. pressure	1-8 bar	1-8 bar	1-8 bar
Overflow connection	Ø15 mm	Ø15 mm	Ø15 mm
Cord length	1.5 m	1.5 m	1.5 m
Weight empty	17 kg	19,5 kg	24 kg
filled	61 kg	82,5 kg	107 kg
Marine executions	3-220V/ 9.6kW/50-60Cy	3-220V/ 9.6kW/50-60Cy	3-220V/ 19.2kW/50-60Cy
	3-380V/ 9kW/50-60Cy	3-380V/ 9kW/50-60Cy	3-380V/ 18kW/50-60Cy
	3-440V/ 9kW/50-60Cy	3-440V/ 9kW/50-60Cy	3-440V/ 18kW/50-60Cy



DIMENSIONS

	WKI 10n	WKI 20n 3KW	WKI 20n 6KW	WKI 40n	WKI 60n	WKI 80n
Art. No.	30110	30115	30120	30125	30130	30135
B1	188	253	253	316	316	367
B2	124	165	165	165	165	250
B3	74	165	165	165	165	250
D1	224	304	304	382	382	444
H1	523	583	583	685	856	890
H2	432	484	484	565	740	780
T1	249	313	313	404	404	456
T2	246	325	325	345	345	345

Electrical connection |
 Water connection |
 Overflow connection