

ANIMO

OptiBean NG OptiBean Touch
Model 2016 Model 2017

Reversed brewer



Modifications

Updated September 2019



Available in English only

The purpose of this document

This document informs you about modifications and updates.

It starts with a **Software** overview, followed by **modifications and updates** starting with the latest and ends with the first modification.

For questions regarding this document please contact **Animo Technical Support**

Marcel Tempelman +31 592 376 359 mtempelman@animo.nl

Martin van der Laan +31 592 376 331 [mvanderlaan@animo.nl](mailto:mvan derlaan@animo.nl)

Iwan Spier +31 592 376 356 ispier@animo.nl

How to read the rating plate

Till 2016

1st line Machine name and type
2th line Art. No. / Serial Number*
3rd line Voltage / Frequency / Power

OptiBean 3 NG
1004557 / 2Z x x x x x*
1N~220-240V 50-60Hz 2275W

* 2 Z x x x x x first two digits

- year of production 2016 (V= 2012 / W=2013 / X= 2014 / Y=2015 / Z=2016)
- 2th quarter production (april-june)

From 2017

1st line Machine name and type
2th line Art. No. / Serial Number*
3rd line Voltage / Frequency / Power

OptiBean 3 Touch
1004906 / 1A A x x x x x*
1N~220-240V 50-60Hz 2275W

* 1A A x x x x x first Three digits

- year of production (A= 2017 / B=2018 / C= 2019 / D=2020 / E=2021)
- week of production (1A= week 1 / 1B=week 2 / 1C=week 3 -----1Z=week 26)
- week of production (2A= week 27 / 2B=week 28 / 2C=week 29 -----2Z= week 52)

Software

The software can be downloaded from MyAnimo

With login: <https://animo.eu/en-us/login>

Requist for a login: <https://animo.eu/en-us/account>

OptiBean NG

Software	Date	
V5.56.3067	Jan 2018	Latest available software version (internet)
V5.55.2900	July 2017	
V5.54.1882	Jan 2016	
V5.52.1853	Nov 2015	First software release

OptiBean Touch

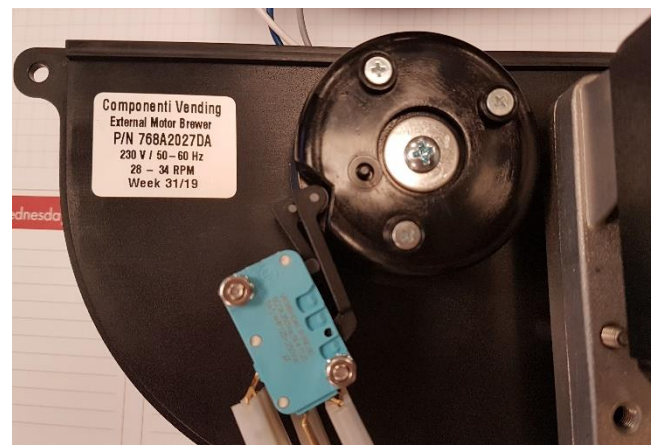
Software	Date	
V6.4.3322 - 1.4.3335	Dec 2018	Latest available software version (internet)
V6.3.3075 - 1.3.3104	31 Jan 2018	
V6.3.3075 - 1.2.3088	26 Jan 2018	
V6.2.2954 - 1.2.2958	Sept 2017	
V6.1.2910 - 1.1.2925	July 2016	
V6.0.2527 - 1.0.2564	7 March 2016	First software release

Brewer motor 230V for 37 & 44 mm reversed brewer [1004573]

Part	MOTOR UNIT BREWER ESPR 230V AC 37/44
Solves problem	Undefined motor switch error E5/E24
Modification	Micro switch roller: modification to improve overall movements of the switch levers. Motor bracket: change of material from >PC< into >Nylon<
From mach. no.	Aug 2019
Retrofit	Yes, with some delicate pressing, see red circle
Article number	1004573 (Componenti part no. changes from 768A2027CA into 768A2027DA)
Action	no



Old



New



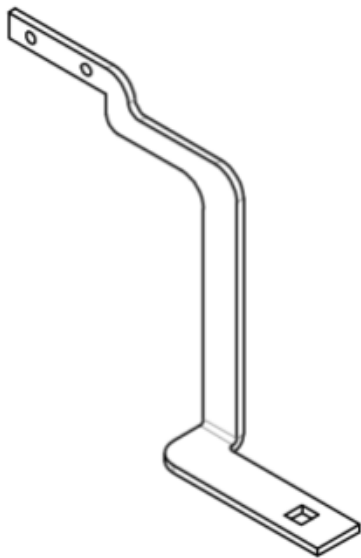
The motor support (see red circle) has been reinforced, and has therefore become thicker.

The motor support (pillars) has been reinforced and has therefore become thicker. This means that it is more difficult to replace the new motor unit in the stainless steel recess.

Some delicate pressing can be needed.

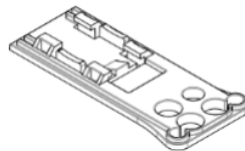
New beverage dispensing bracket [1001747]

Part	BEVERAGE DISPENSING BRACKET
Solves problem	Breaking of outlet support [1000401]
Modification	Plastic outlet support integrated in dispensing bracket
From mach. no.	1WC 31162 / Week 23 June 2019
Retrofit	Yes
Article number	1001747
Action	No



1001747-Rev2.0

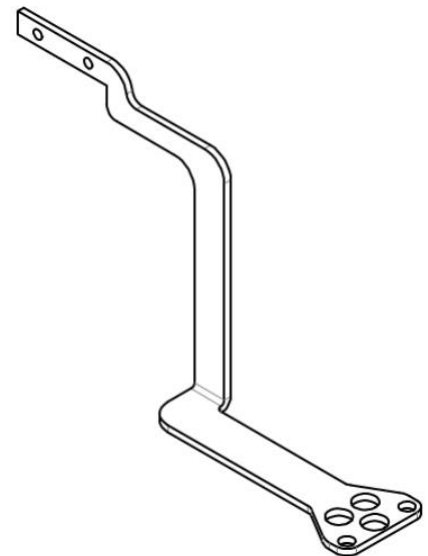
+



+

1000401-Rev2.0

=>



=>

1001747-Rev3.0

Brewer motor 230V for 37 & 44 mm reversed brewer [1004573]

Part	MOTOR UNIT BREWER ESPR 230V AC 37/44
Solves problem	Breaking
Modification	Improved drive pin Motor power 70W → 50W
From mach. no.	2BB20924 July 2018
Retrofit	No
Article number	1004573
Action	no



Old



New

Mixer 247 holder clamp base quick fit black [1003568]

Part	Mixer 247 holder clamp base quick fit black
Solves problem	Extended lifespan axle seal
Modification	Material axle seal changed from Silicon (red) into Viton® (green)
From mach. no.	2BB20924 July 2018
Retrofit	Yes
Article number	1003568
Action	no



Old

New

Mixer 247 axle seal \varnothing 4mm [1003572]

Part	Mixer 247 axle seal \varnothing 4mm green
Solves problem	Extended lifespan
Modification	Material seal changed from Silicon (red) into Viton [®] (green)
From mach. no.	Spare part from warehouse is changed from mid July 2018
Retrofit	Yes
Article number	1003572
Action	no



Old

New

Dispensing valve [1000699]

Part	Dispensing valve for OptiBean, OptiBean NG & OptiBean Touch
Solves problem	-
Modification	New electric 24Vdc coil (23/18 or higher printed on coil label)
From mach. no.	2BB20924 July 2018
Retrofit	Yes, see picture
Article number	1000699
Action	no

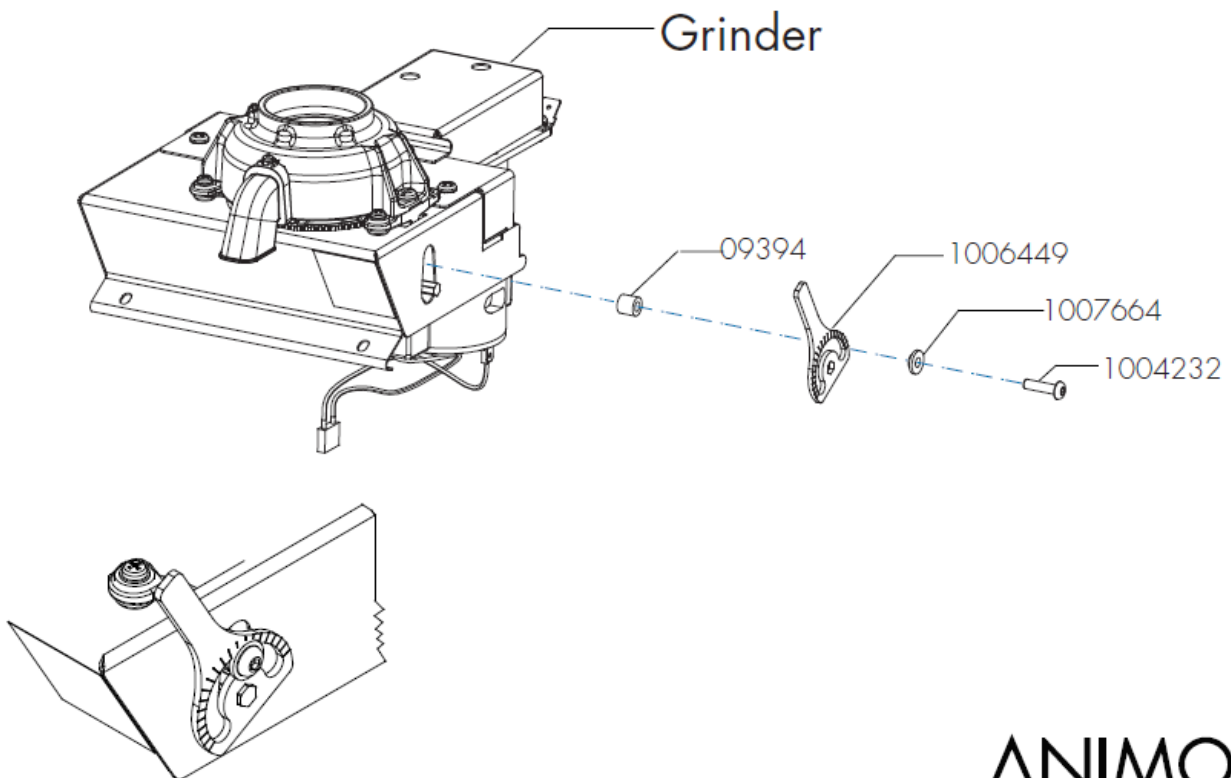


Old

New

Fixation kit grinder [1007665]

Part	Fixation kit grinder (optional)
Solves problem	To (extra) secure the grinder adjustment
Modification	-
From mach. no.	-
Retrofit	Yes
Article number	1007665 (kit)
Action	no



Coffee waste- & Water waste bin

Part	Coffee waste bin / Water waste bin + lid	
Solves problem	-	
Modification	Heavy duty plastic (injection mold)	
From mach. no.	Mach.no. 1NB10502 - Week 14/2018	
Retrofit	New bins fit in: OptiBean (model 2011), OptiBean NG (model 2015), OptiBean Touch (model 2017) (Attention: New bins does not match Old bins)	
Article number	1006405 Coffee waste bin 1006406 Water waste bin 1006407 Lid for water waste bin	} 1007663 Kit complete
Action	no	



Old

New

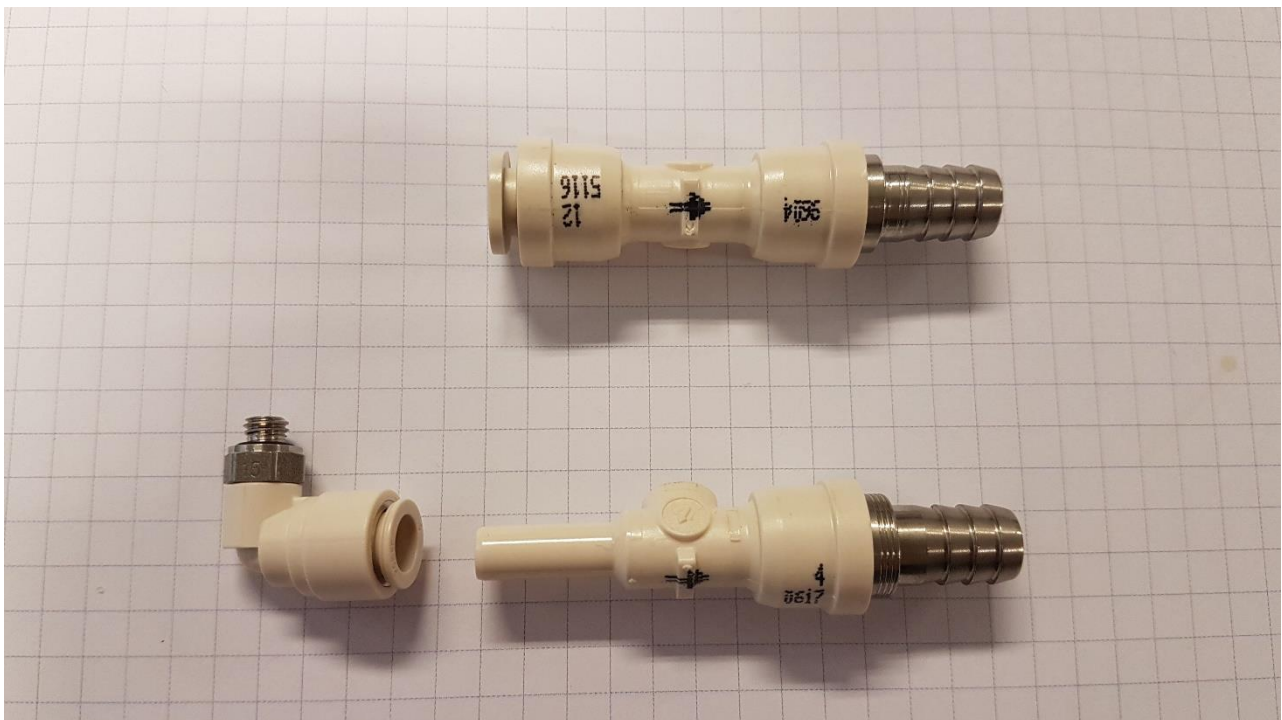
Hose kit drainage OB NG & OB Touch [1004945]

Part	Hose kit drainage OptiBean NG & OptiBean Touch
Solves problem	-
Modification	Drain set can now be used for the 4 & 6mm push in fitting
From mach. no.	1AB00001 January 2018
Retrofit	Yes, see picture
Article number	1004945
Action	no



Overpressure valve 4 Bar [1007140] & 12 Bar [1007136]

Part	Overpressure valve 4 Bar & 12 Bar
Solves problem	More resistant against aggressive (soft) water
Modification	Brass overpressure valve replaced for High tech plastic / Stainless steel valves
From mach. no.	1AB00001 January 2018
Retrofit	Yes, see picture
Article number	1007136 Overpressure valve 12 Bar 1007140 Overpressure valve 4 Bar KIT (new 6mm elbow included) <ul style="list-style-type: none">- Overpressure valve 4 Bar [1007135]- Elbow M5x6mm [1007137]
Action	no



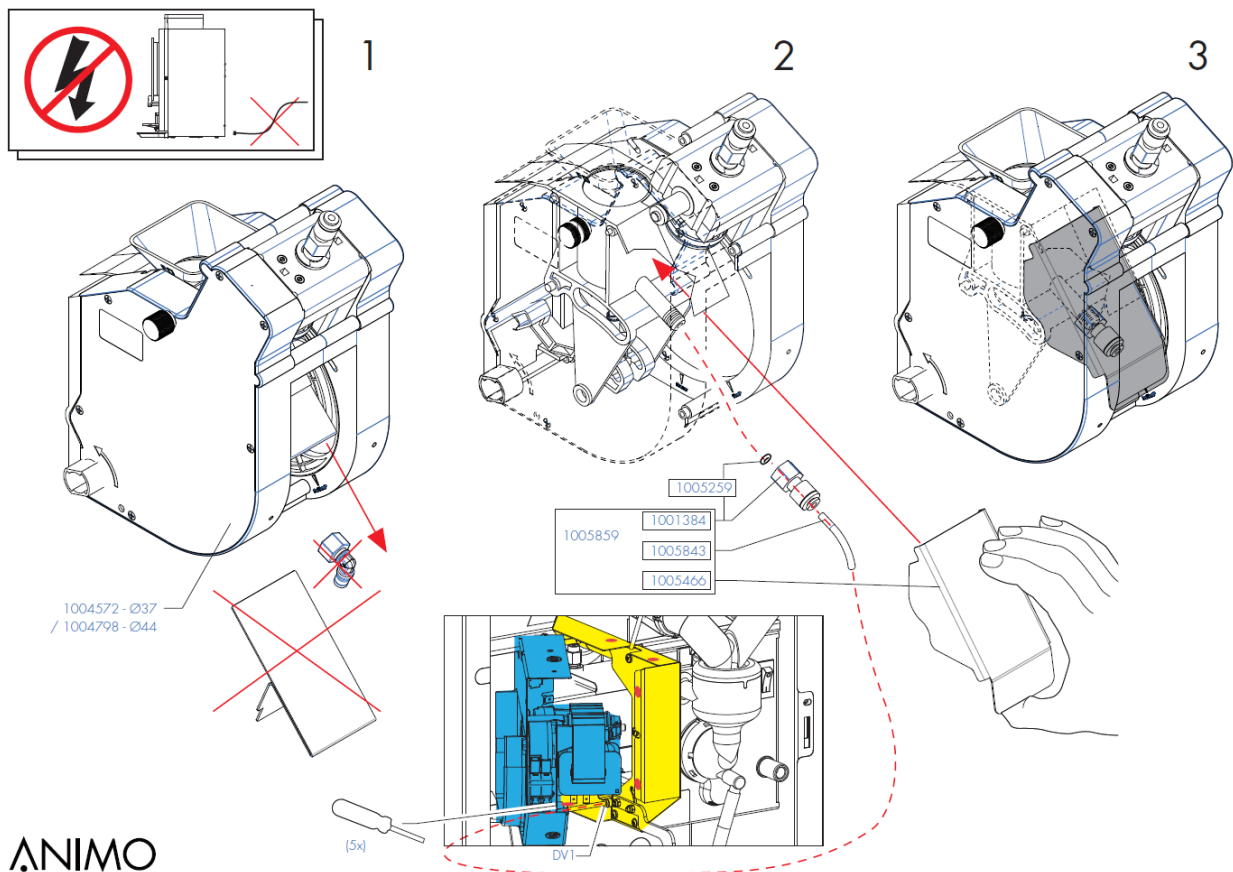
Push fit Couplings

Part	All couplings used in cold and hot water circuit
Solves problem	Elimination of brass components in the internal water circuit
Modification	Brass couplings replaced for High tech plastic / Stainless steel couplings
From mach. no.	1AB00000 January 2018
Retrofit	Machine; Yes
Article number	Art. No's remain the same
Action	no



Brewer reversed

Part	stainless steel cover
Solves problem	easy cleaning- and access to brewer water inlet coupling
Modification	new removable stainless steel cover (standard in each machine and brewer spare part)
From mach. no.	3Zxxxxx (production July 2016)
Article number	1005859
Retrofit	Yes
Action	no

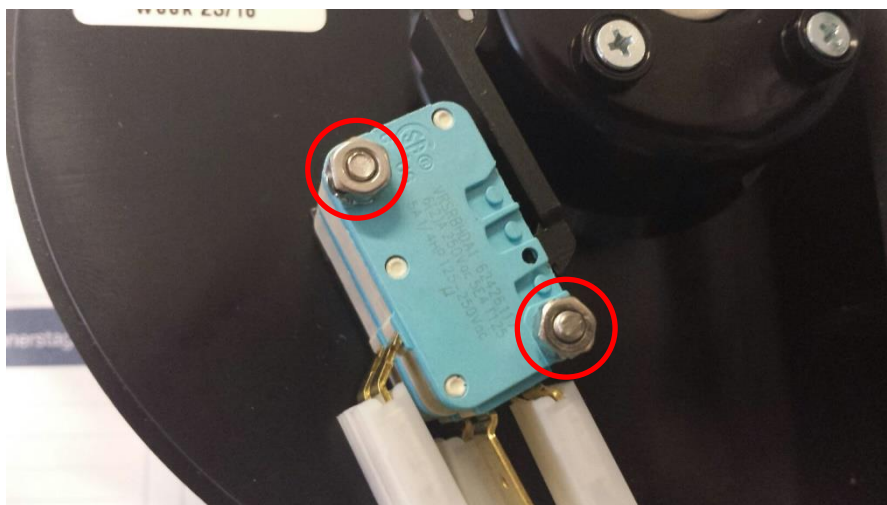


Brewer motor [1004573]

Part	brewer switches
Solves problem	undefined E5/E24 errors
Modification	Improved brewer switch fixation
From mach. no.	3Zxxxxx (production July 2016) / from wk 23/2016 brewer motor sticker
Article number	1004573
Retrofit	no, only by changing the complete brewer motor
Action	no



Previous brewer switch fixation



New brewer switch fixation

Hot water coupling

Part	fixation clip
Solves problem	metal clip breaks
Modification	metal clip changed into plastic clip
From mach. no.	2Z 10879 the new fixation clip is standard in the machine
Article number	1004673
Retrofit	yes, change metal clip for new plastic clip
Action	Yes



Hot water coupling



New plastic fixation clip

Brewer reversed [1005856] / Brewer reversed XL [1005857]

Part	piston protection cover
Solves problem	over compressing the brewer with the fixation screw
Modification	Reinforced rims on backside
From mach. no.	1Z 0000 February 2016 the modified cover is standard on the brewer
Retrofit	Yes, replace piston protection cover
Article number	1005438
Action	No



Front 1005438



Reinforced back 1005438

Brewer reversed XL [1005856]

Part	support ring lower piston (white ring)
Solves problem	blockage of water inlet brewer by coffee residue
Modification	new support ring lower piston (black ring with red O-ring)
From mach. no.	1Z 0000 February 2016 the new O-ring is standard inside the XL brewer
Retrofit	Yes, see drawing
Article number	1004670 new support ring lower piston
Action	we recommend to modify the XL reversed brewer with this new ring

