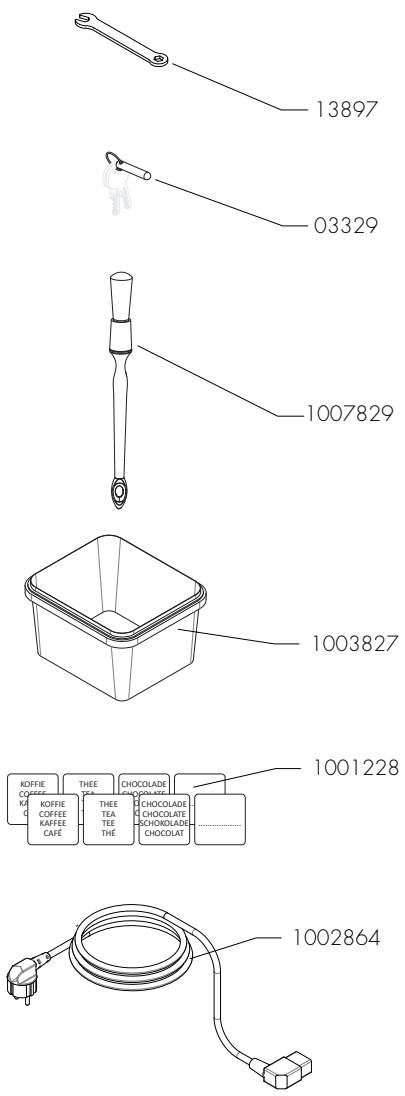
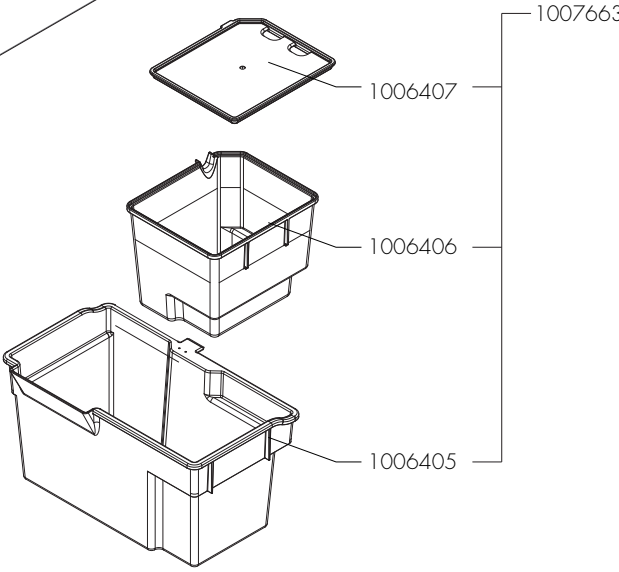
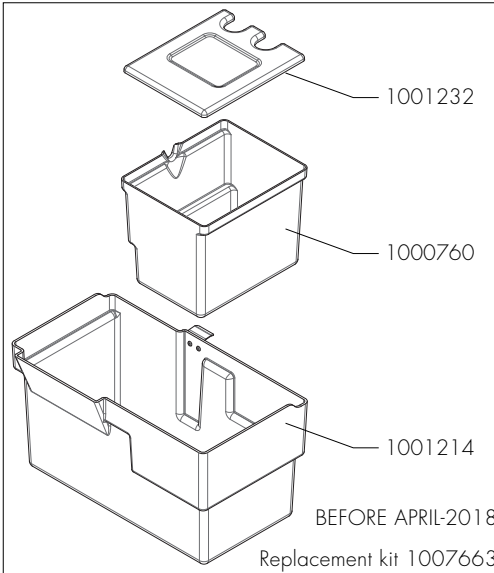
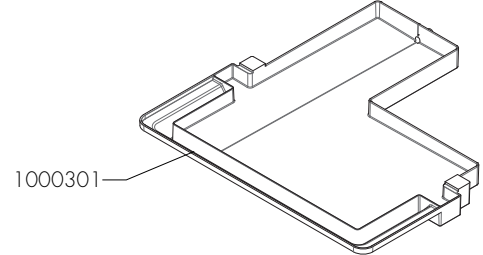
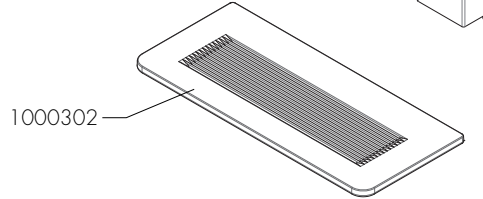
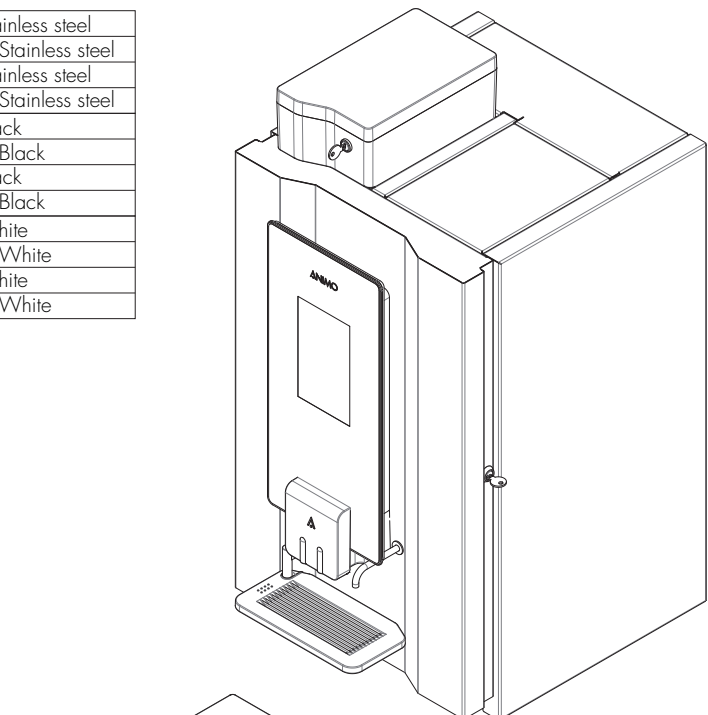
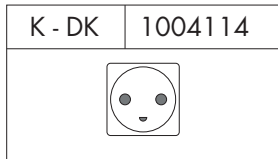
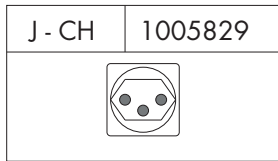
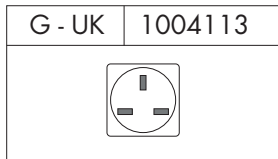
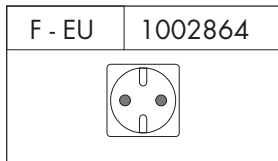
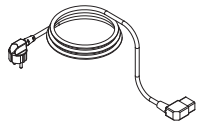
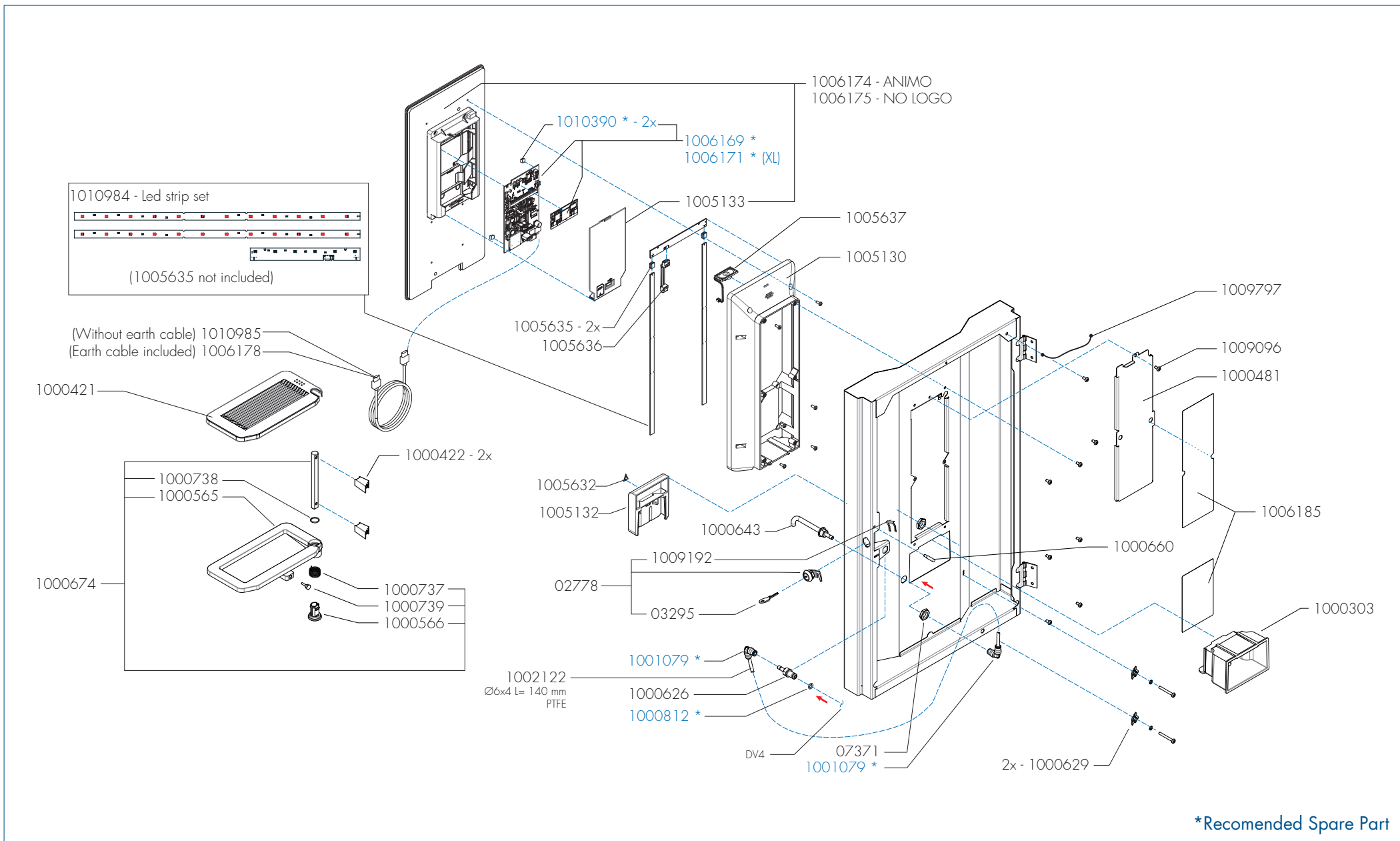



1004559	OPTIBEAN 2 TOUCH - Stainless steel
1004560	OPTIBEAN 2 XL TOUCH - Stainless steel
1004561	OPTIBEAN 3 TOUCH - Stainless steel
1004562	OPTIBEAN 3 XL TOUCH - Stainless steel
1004904	OPTIBEAN 2 TOUCH - Black
1004605	OPTIBEAN 2 XL TOUCH - Black
1004906	OPTIBEAN 3 TOUCH - Black
1004907	OPTIBEAN 3 XL TOUCH - Black
1005005	OPTIBEAN 2 TOUCH - White
1005006	OPTIBEAN 2 XL TOUCH - White
1005007	OPTIBEAN 3 TOUCH - White
1005008	OPTIBEAN 3 XL TOUCH - White

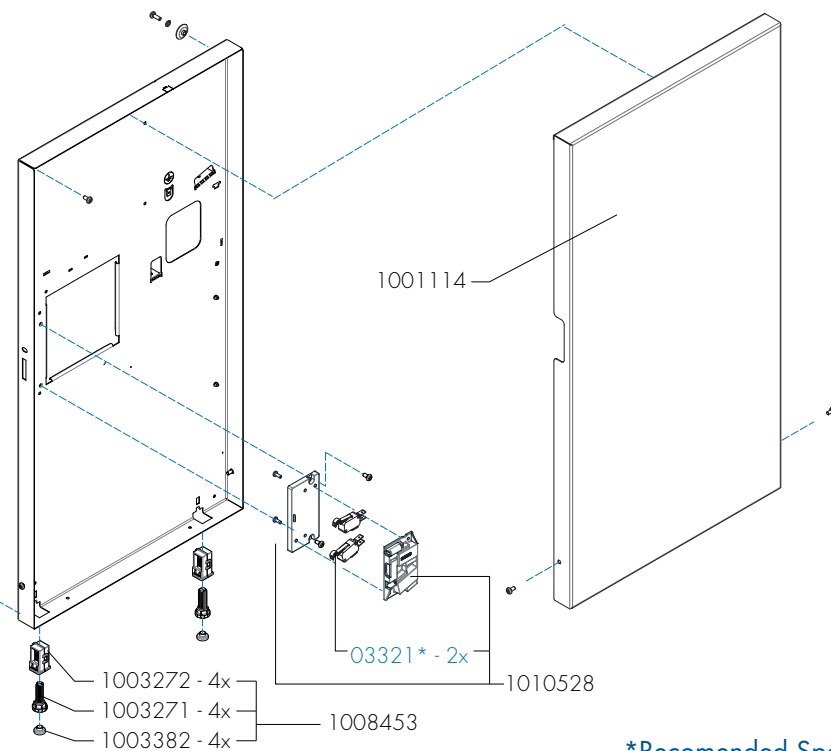
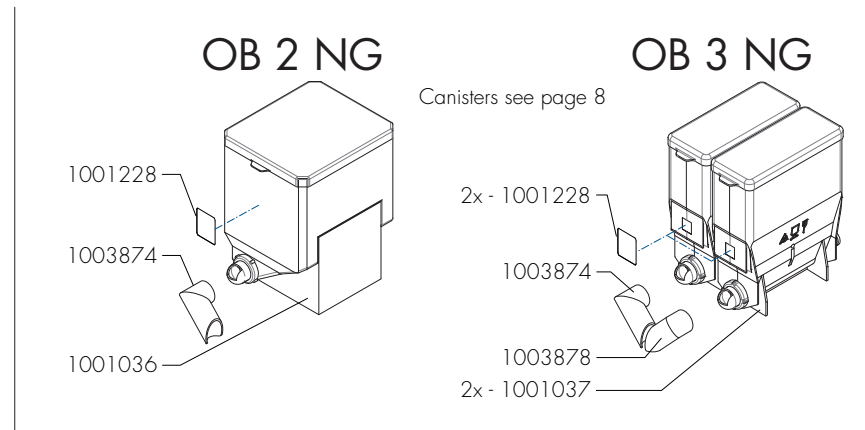
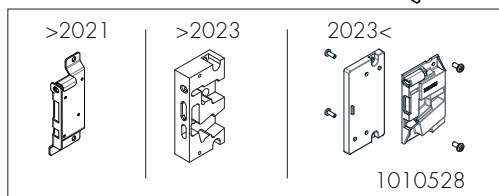
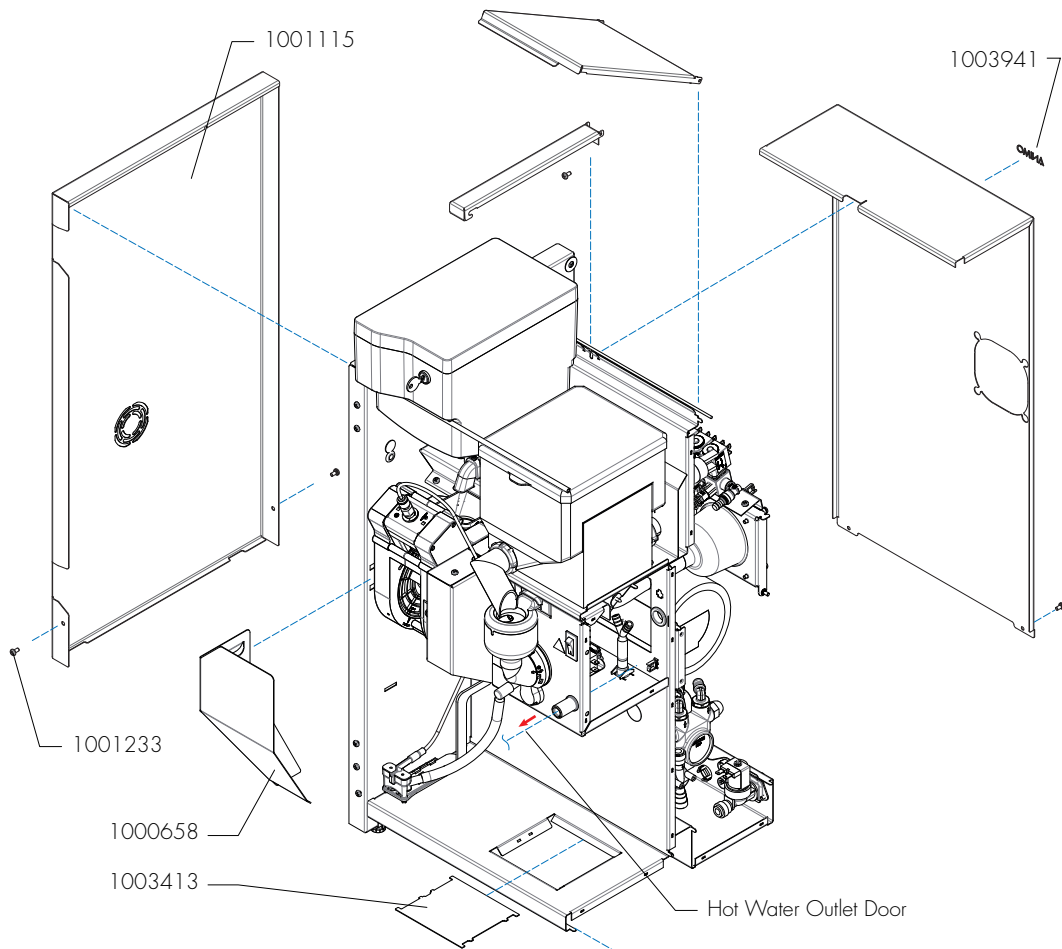


*Recommended Spare Part

Type : OPTIBEAN 2 / 3 (XL) TOUCH	From mach. nr. : 1AB XXXXX	Page : 1 - 16	
Articlenumber : see page 1	Date : 01 - 2018	Rev : 8.1 (08-08-2023)	
Rated voltage : 1N~ 220-240V 50Hz 2100W	Drawer : FdB	Spare Parts Info	
	Date : 14-11-16	www.animo.eu	



Type : OPTIBEAN 2 / 3 (XL) TOUCH	From mach. nr. : 1AB XXXXX	Page : 2 - 16	 www.animo.eu
Articlenumber : see page 1	Date : 01 - 2018	Rev : 8.1 (08-08-2023)	
Rated voltage : 1N~ 220-240V 50Hz 2100W	Drawer : FdB Date : 14-11-16	Spare Parts Info	



*Recommended Spare Part

Type : OPTIBEAN 2 / 3 (XL) TOUCH
 Articulenumber : see page 1

From mach. nr. : 1AB XXXXX
 Date : 01 - 2018

Page : 3 - 16
 Rev : 8.1 (08-08-2023)

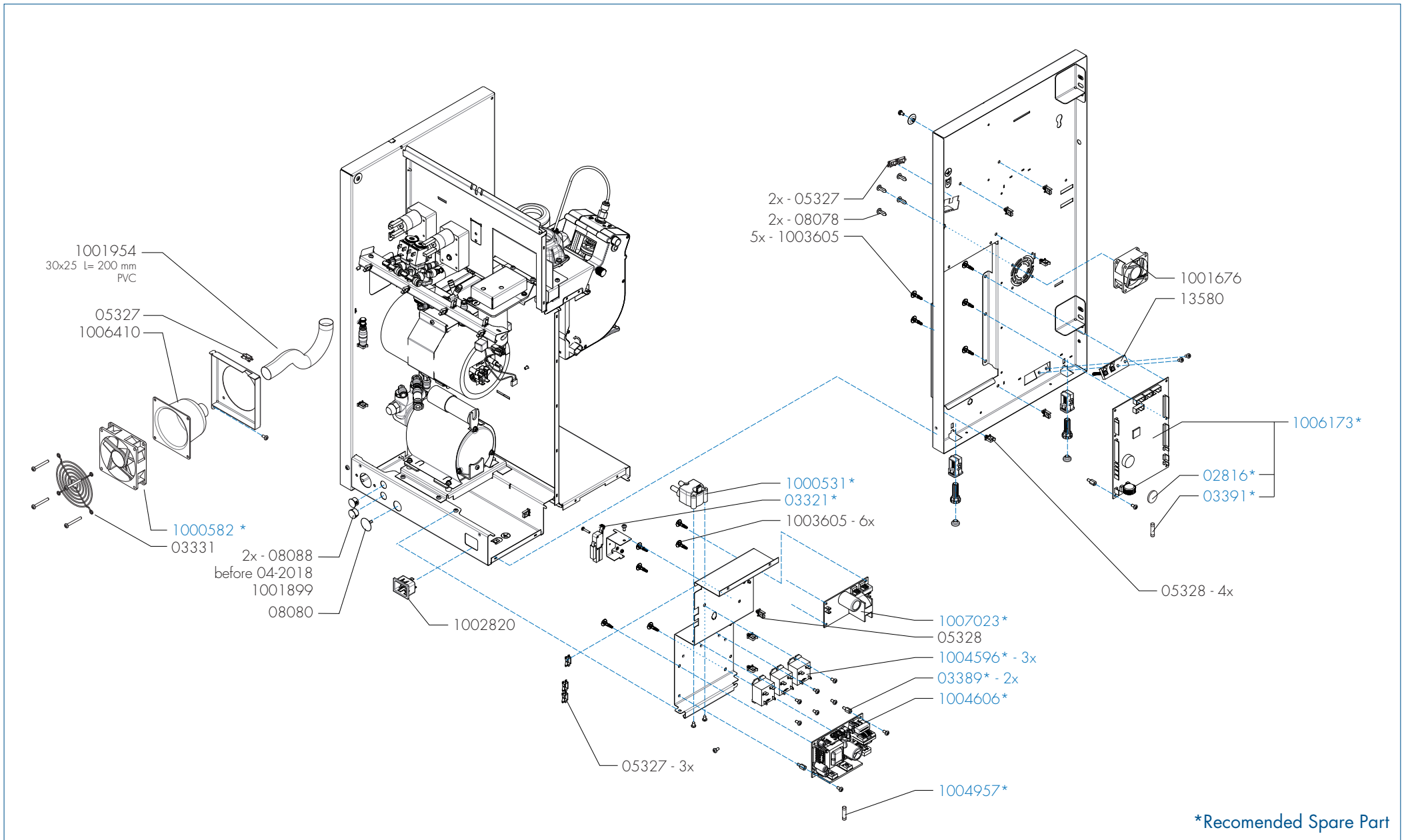
Rated voltage : 1N~ 220-240V 50Hz 2100W


Drawer : FdB
 Date : 14-11-16

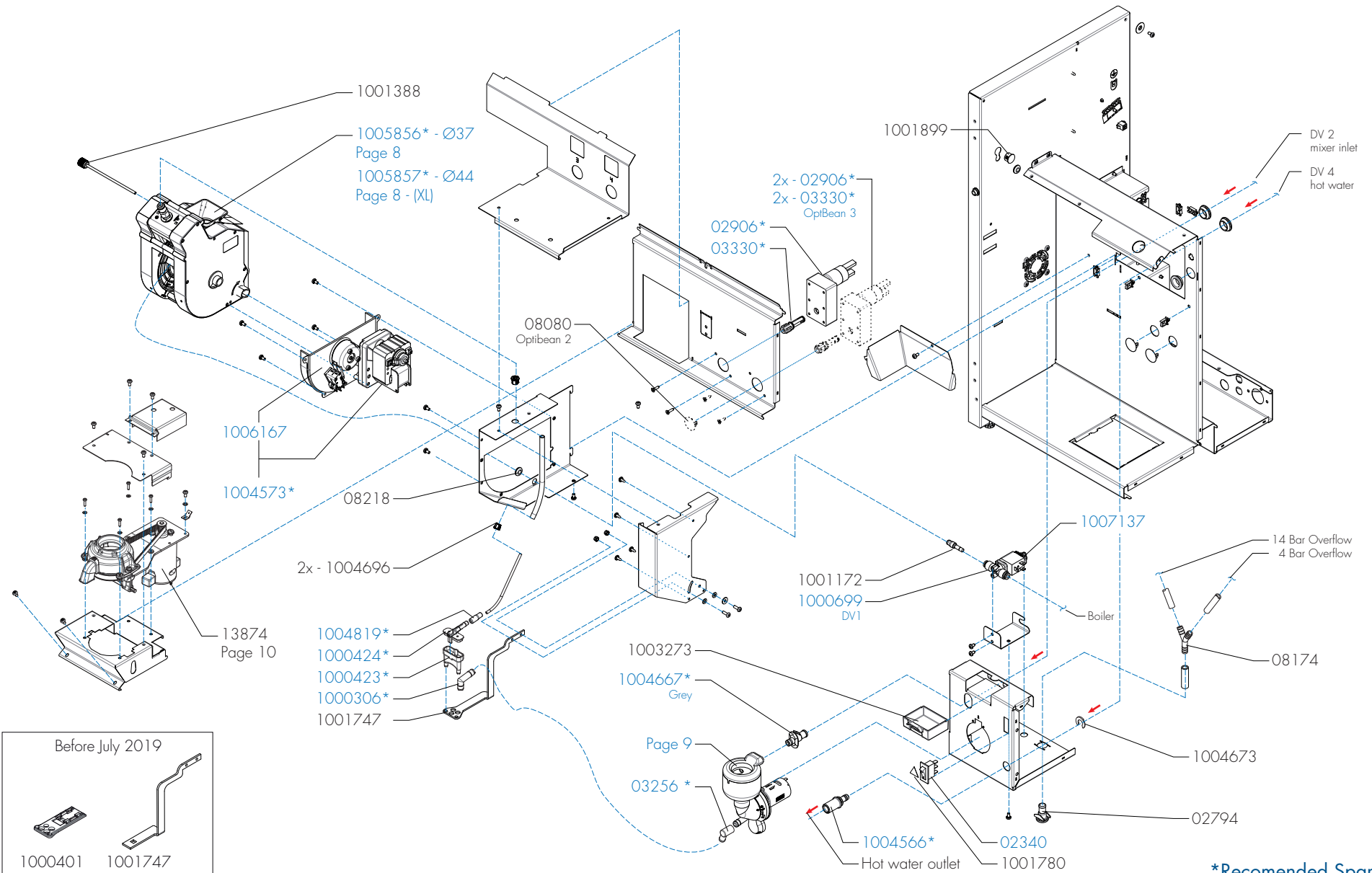
Spare Parts Info

ANIMO

www.animo.eu



Type : OPTIBEAN 2 / 3 (XL) TOUCH	From mach. nr. : 1AB XXXXX	Page : 4 - 16	 www.animo.eu
Articlenumber : see page 1	Date : 01 - 2018	Rev : 8.1 (08-08-2023)	
Rated voltage : 1N~ 220-240V 50Hz 2100W	Drawer : FdB Date : 14-11-16	Spare Parts Info	



Type : OPTIBEAN 2 / 3 (XL) TOUCH
 Articulenumber : see page 1

From mach. nr. : 1AB XXXXX
 Date : 01 - 2018

Page : 5 - 16
 Rev : 8.1 (08-08-2023)

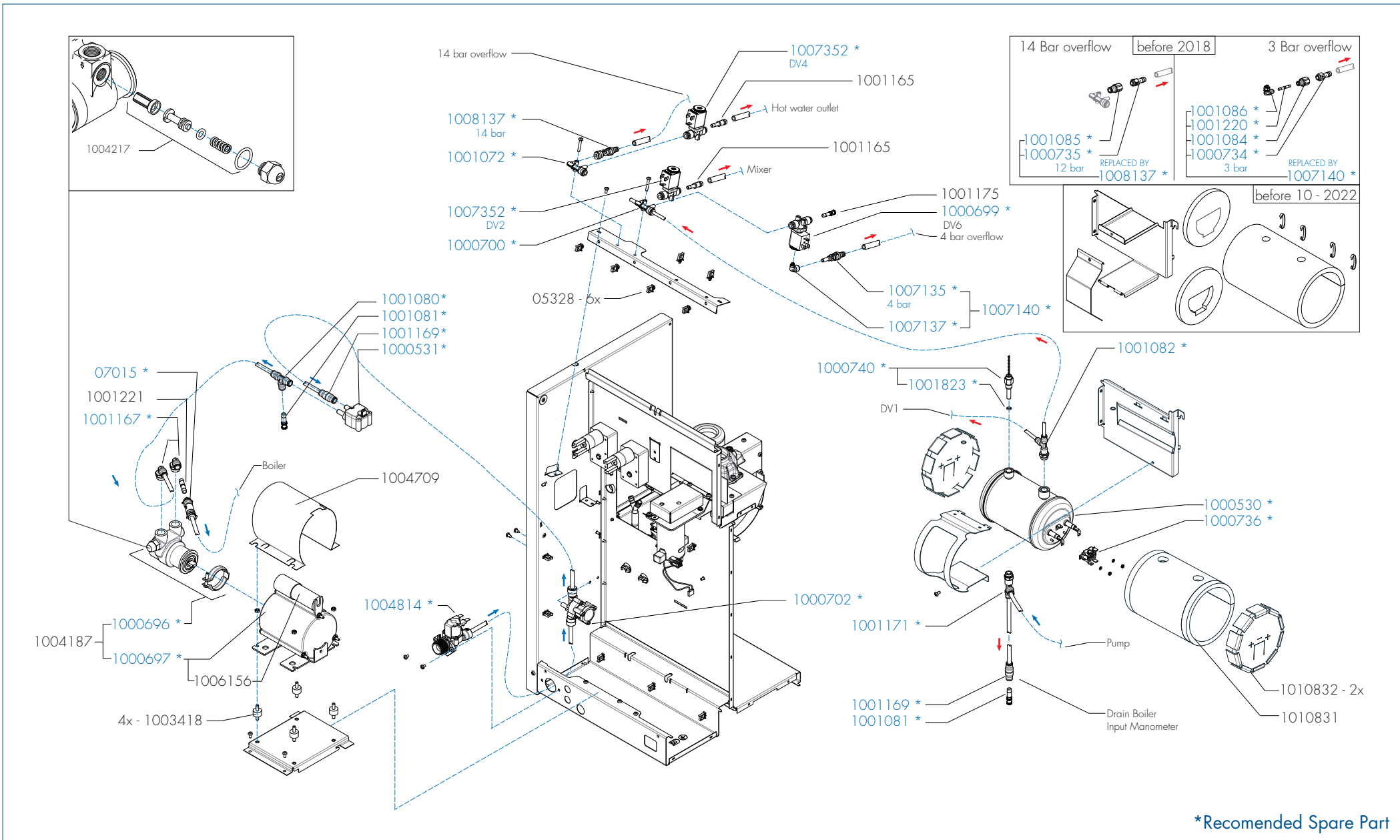
Rated voltage : 1N~ 220-240V 50Hz 2100W

Drawer : FdB
 Date : 14-11-16

Spare Parts Info

ANIMO

www.animo.eu



*Recommended Spare Part

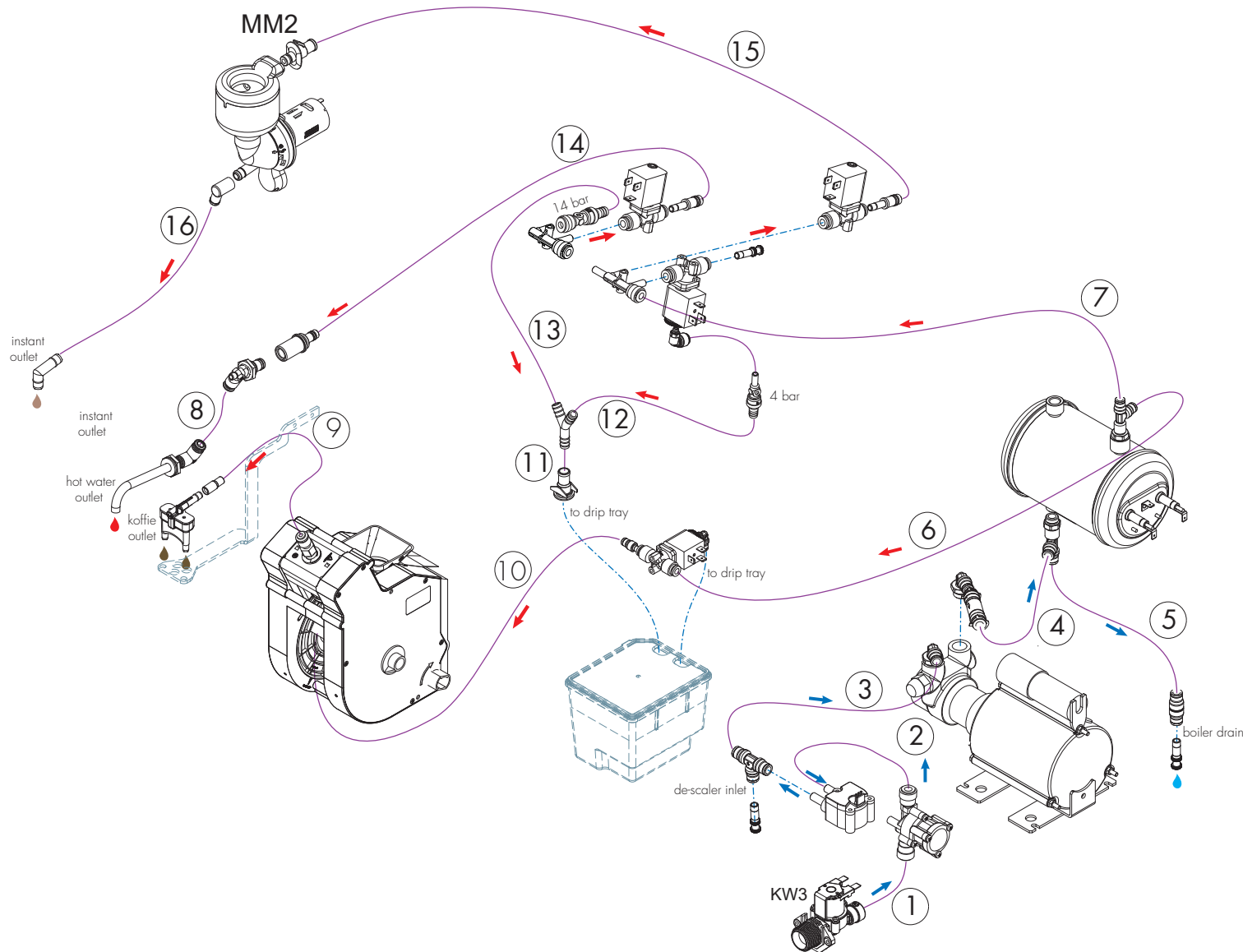
Type	: OPTIBEAN 2 / 3 (XL) TOUCH
Articlenumber	: see page 1
Rated voltage	: 1N~ 220-240V 50Hz 2100W

From mach. nr.	: 1AB XXXXX
Date	: 01 - 2018
Drawer	: FdB
Date	: 14-11-16

Page	: 6 - 16
Rev	: 8.1 (08-08-2023)
Spare Parts Info	



www.animo.eu



Tubing diagram

16	35036 12 x 8 L= 200 mm Silicone
15	35038 12 x 8 L= 240 mm Silicone
14	35086 12 x 8 L= 305 mm Silicone
13	1009293 12 x 8 L= 180 mm Silicone
12	1001344 12 x 8 L= 140 mm Silicone
11	1007138 12 x 8 L= 50 mm Silicone
10	1005843 4 x 2 L= 260 mm PTFE
9	1004849 4 x 2 L= 530 mm PTFE
8	1001346 6 x 4 L= 155 mm PTFE
7	1009294 6 x 4 L= 170 mm PTFE
6	1001936 6 x 4 L= 330 mm PTFE
5	1001942 8 x 6 L= 550 mm PTFE
4	1001939 8 x 6 L= 280 mm PTFE
3	1004675 8 x 6 L= 160 mm PTFE
2	1001940 8 x 6 L= 310 mm PTFE
1	1004675 8 x 6 L= 160 mm PTFE

*Recommended Spare Part

Type : OPTIBEAN 2 / 3 (XL) TOUCH
 Articulenumber : see page 1

From mach. nr. : 1AB XXXXX
 Date : 01 - 2018

Page : 7 - 16
 Rev : 8.1 (08-08-2023)

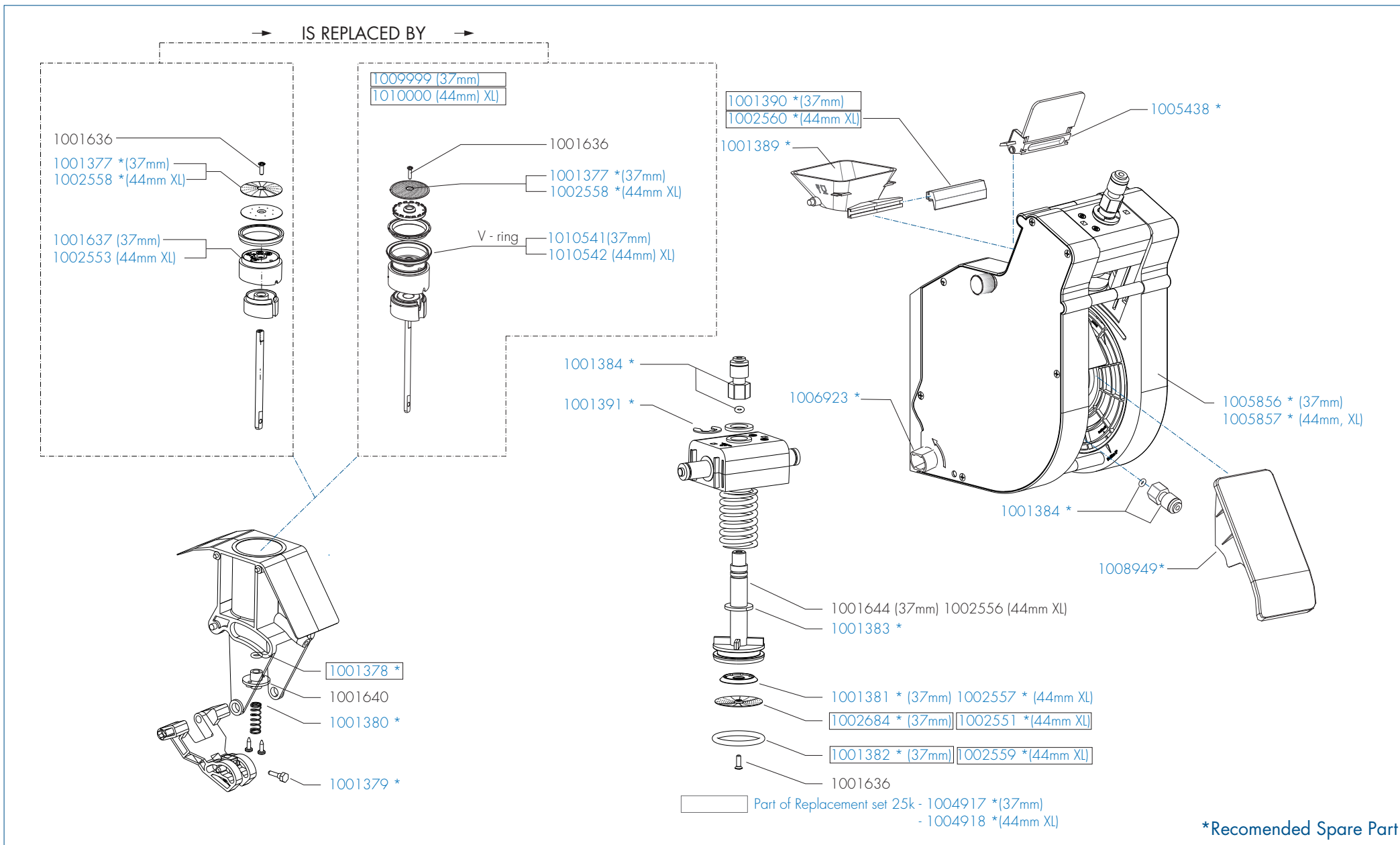
Rated voltage : 1N~ 220-240V 50Hz 2100W

Drawer : FdB
 Date : 14-11-16

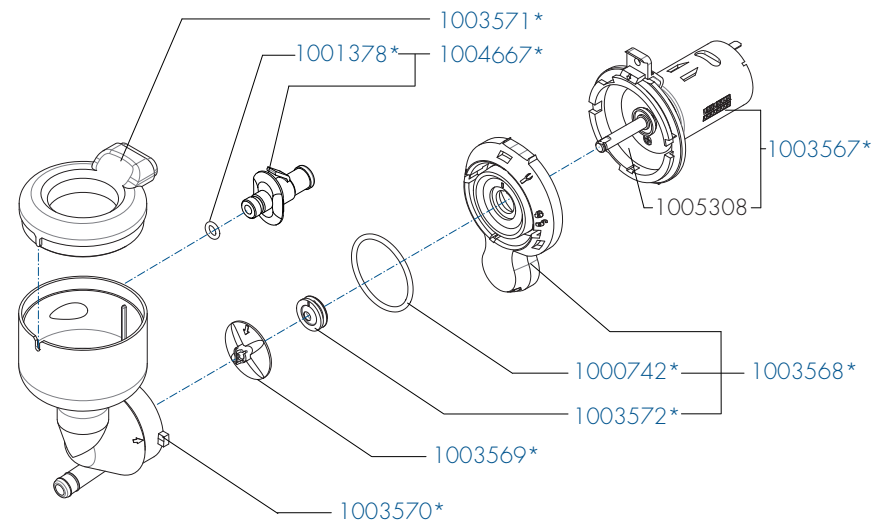
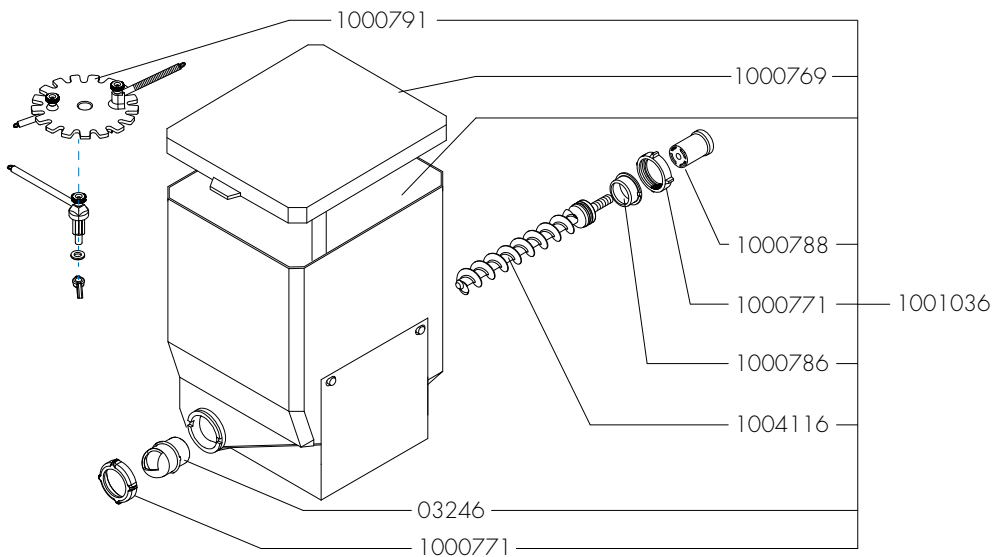
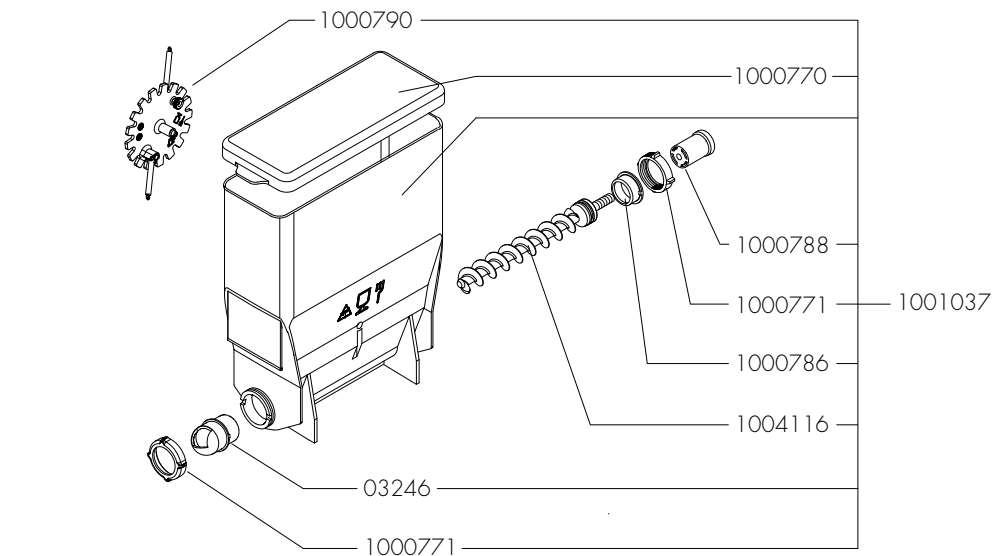
Spare Parts Info

ANIMO

www.animo.eu



Type : OPTIBEAN 2 / 3 (XL) TOUCH	From mach. nr. : 1AB XXXXX	Page : 8 - 16	ANIMO www.animo.eu
Articlenumber : see page 1	Date : 01 - 2018	Rev : 8.1 (08-08-2023)	
Rated voltage : 1N~ 220-240V 50Hz 2100W	Drawer : FdB Date : 14-11-16	Spare Parts Info	



*Recomended Spare Part

Type : OPTIBEAN 2 / 3 (XL) TOUCH
 Articulenumber : see page 1

From mach. nr. : 1AB XXXXX
 Date : 01 - 2018

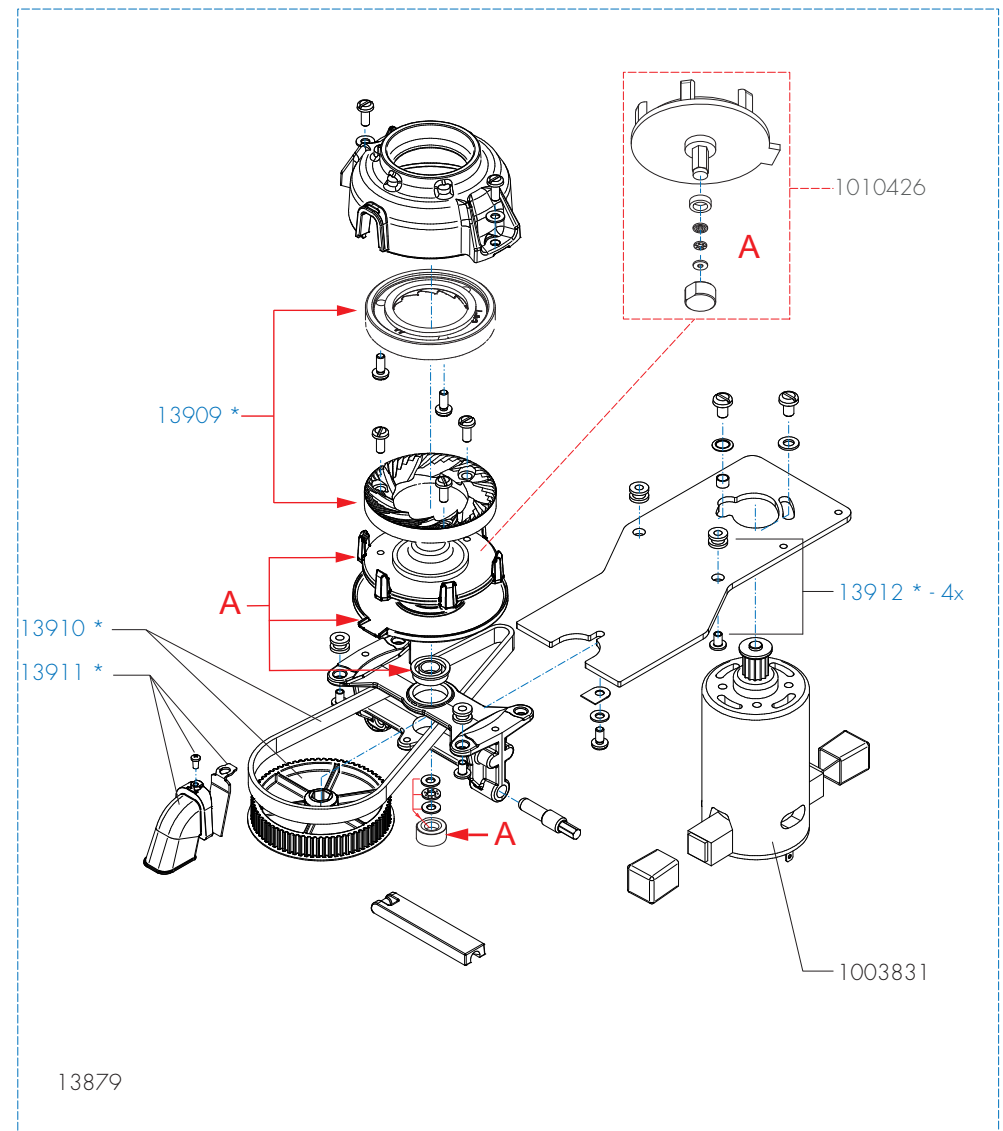
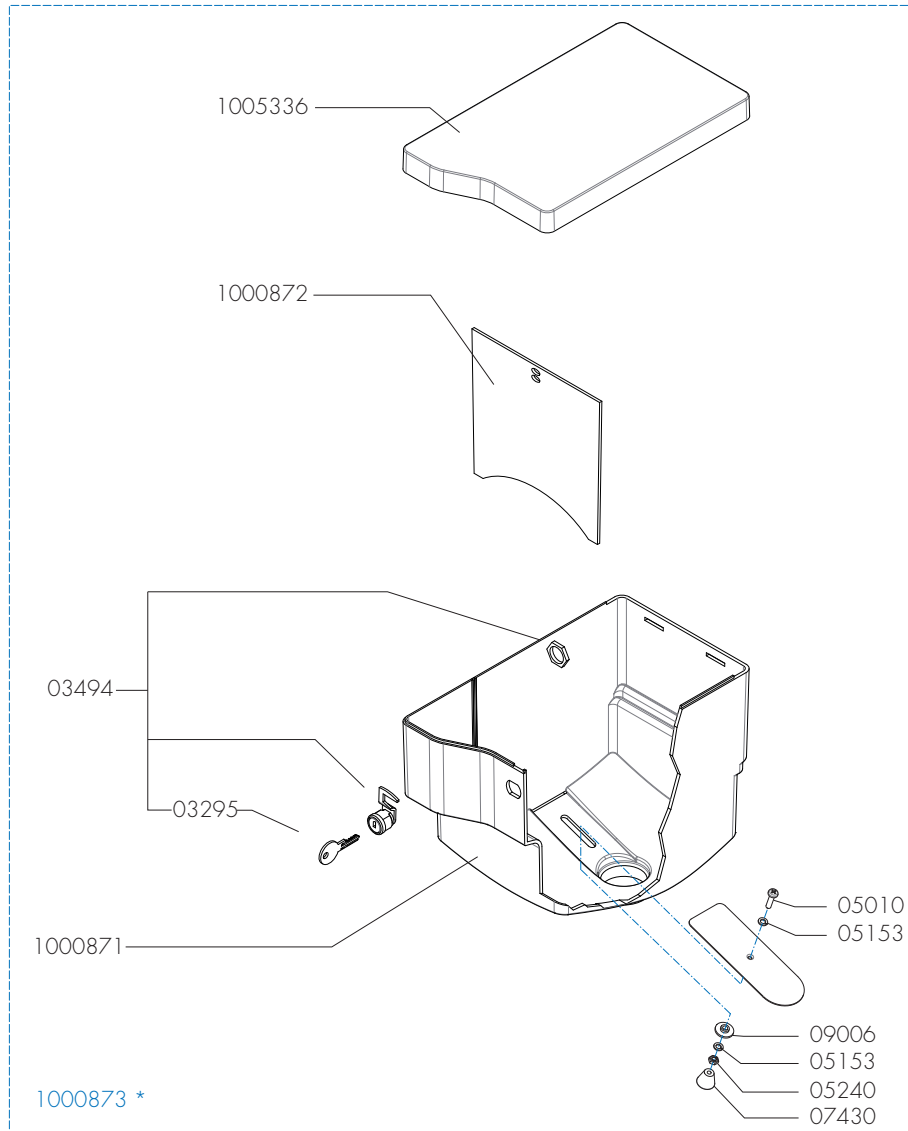
Page : 9 - 16
 Rev : 8.1 (08-08-2023)

Rated voltage : 1N~ 220-240V 50Hz 2100W

Drawer : FdB
 Date : 14-11-16

Spare Parts Info

ANIMO
 www.animo.eu



*Recomended Spare Part

Type : OPTIBEAN 2 / 3 (XL) TOUCH
 Articulenumber : see page 1

From mach. nr. : 1AB XXXXX
 Date : 01 - 2018

Page : 10 - 16
 Rev : 8.1 (08-08-2023)

Rated voltage : 1N~ 220-240V 50Hz 2100W

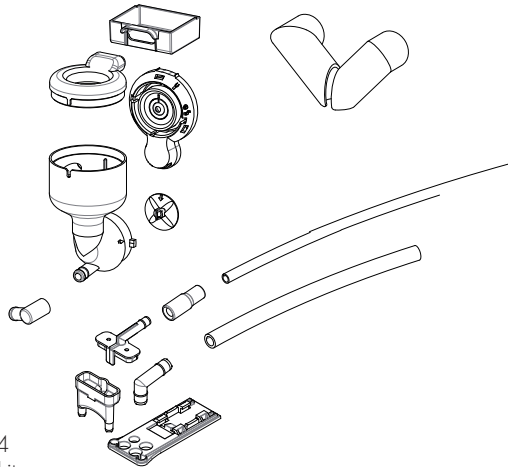
Drawer : FdB
 Date : 14-11-16

Spare Parts Info

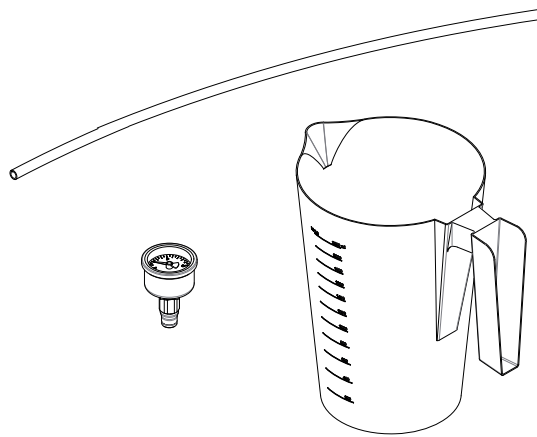
ANIMO

www.animo.eu

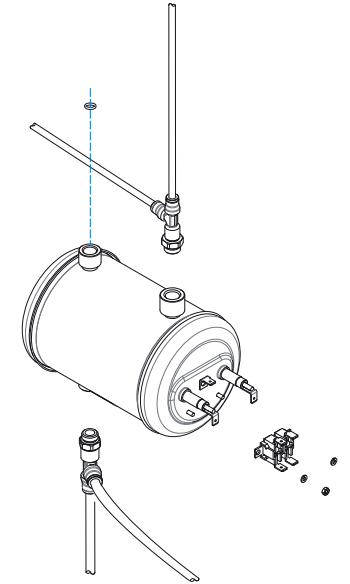
Accessories



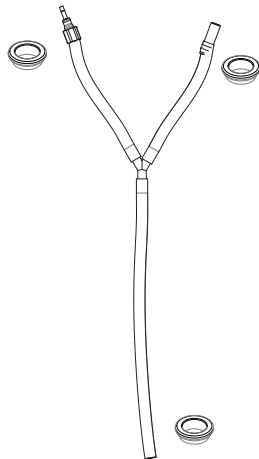
1004954
Hygiene kit



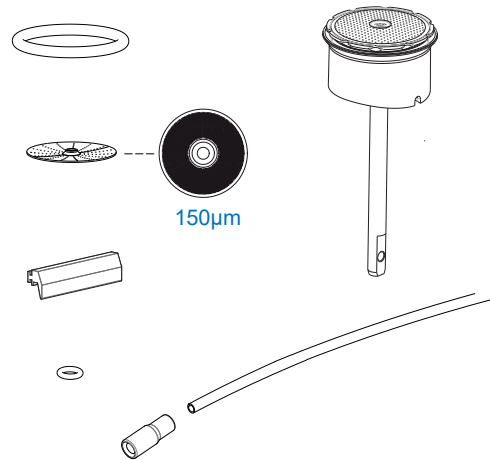
1010947
Service kit



1002876*
Boiler replacement kit OptiBean



1004945
Hose kit permanently drain



1004917 *(37mm), 1004918 *(44mm XL)
Replacement kit 25k

*Recomended Spare Part

Type : OPTIBEAN 2 / 3 (XL) TOUCH
Articlenumber : see page 1

From mach. nr. : 1AB XXXXX
Date : 01 - 2018

Page : 11 - 16
Rev : 8.1 (08-08-2023)

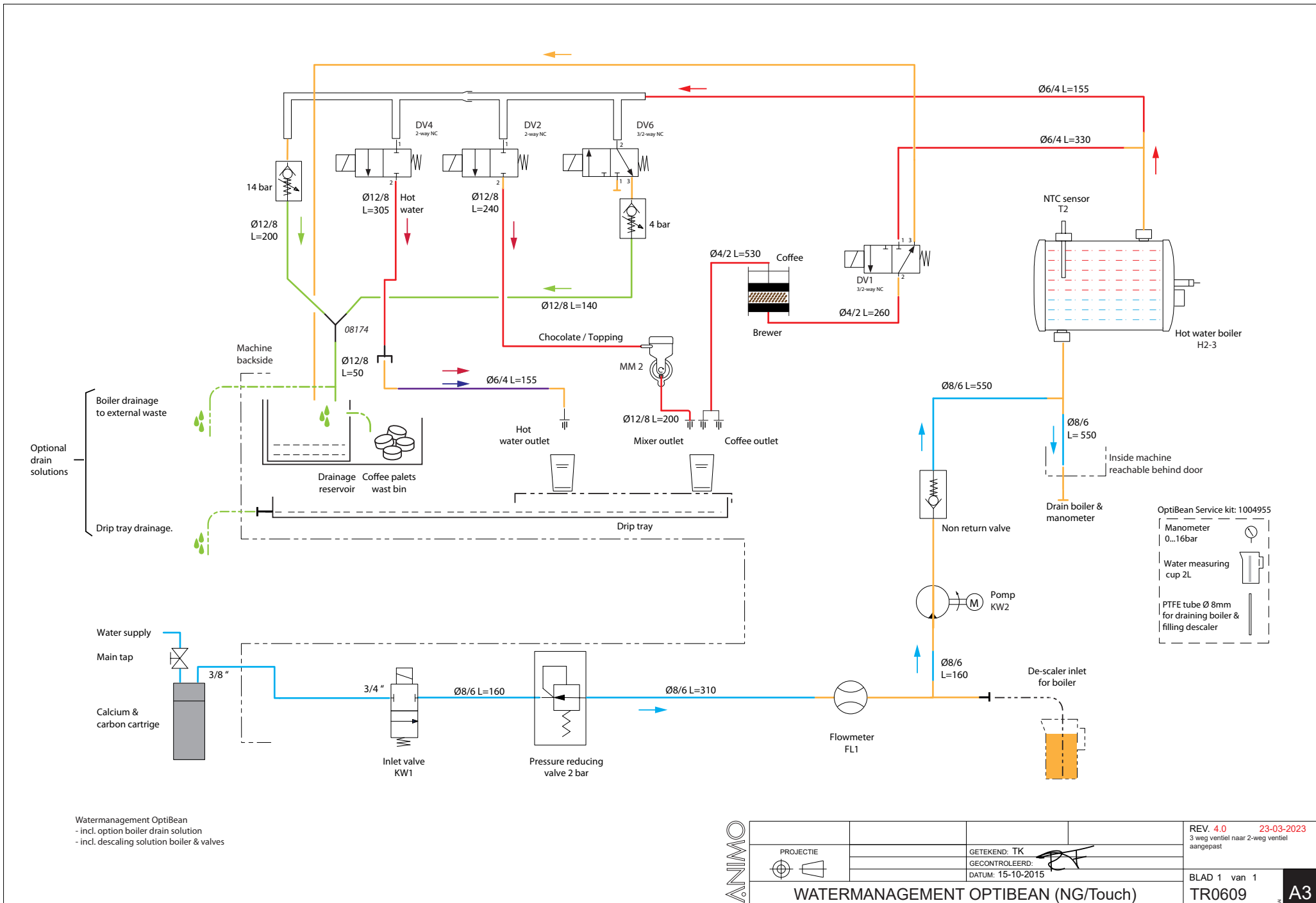
Rated voltage : 1N~ 220-240V 50Hz 2100W

Drawer : FdB
Date : 14-11-16

Spare Parts Info

ANIMO

www.animo.eu

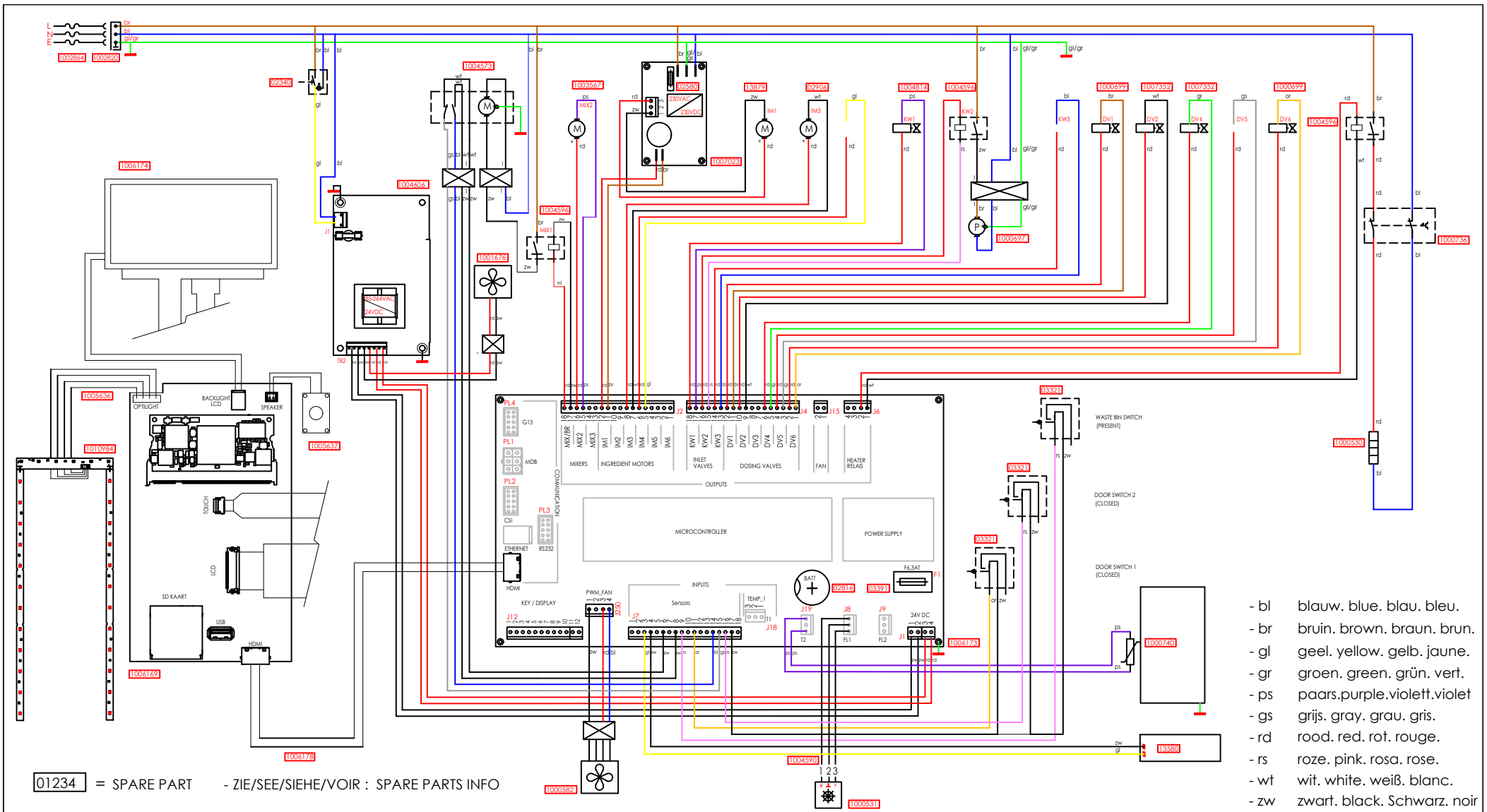


ANIMO

PROJECTIE	GETEKEND: TK
	GECONTROLEERD: <i>[Signature]</i>
	DATUM: 15-10-2015

WATERMANAGEMENT OPTIBEAN (NG/Touch)

REV. 4.0	23-03-2023
3 weg ventiel naar 2-weg ventiel aangepast	
BLAD 1 van 1	
TR0609	A3



Type : OPTIBEAN 2 TOUCH I / B / W
 Articulenumber : 1004559 / 1004904 / 1005005

Rated voltage : 1N ~220-240V 50-60Hz 2100W

From mach.nr. : 4Z28737
 Date : 11-2016

Drawer : TJ
 Date : 16-11-2016

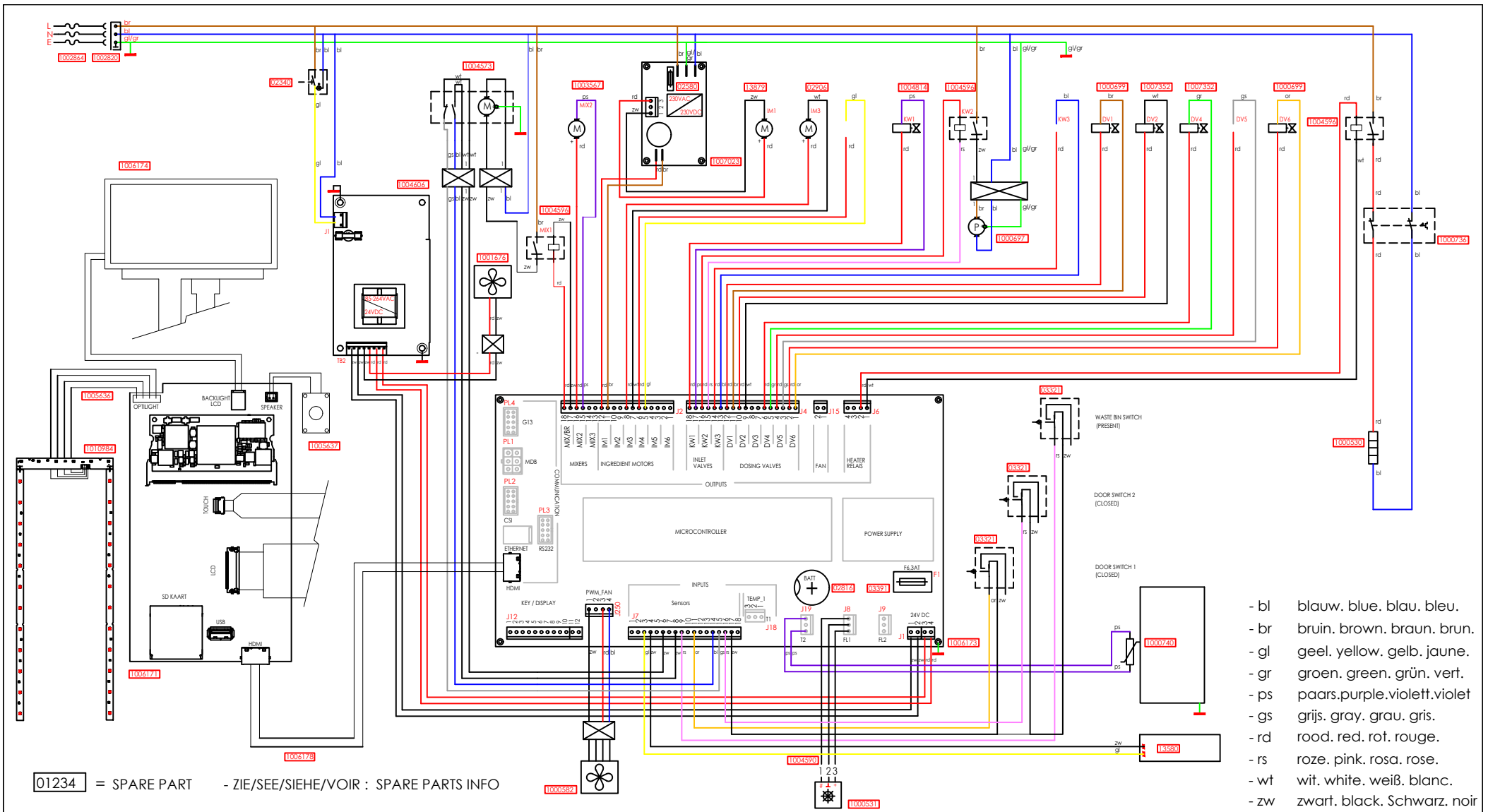
Drawing nr. : S1004559

Rev. : 1.3 Page : 1-1

Circuit Diagram

ANIMO

www.animo.eu

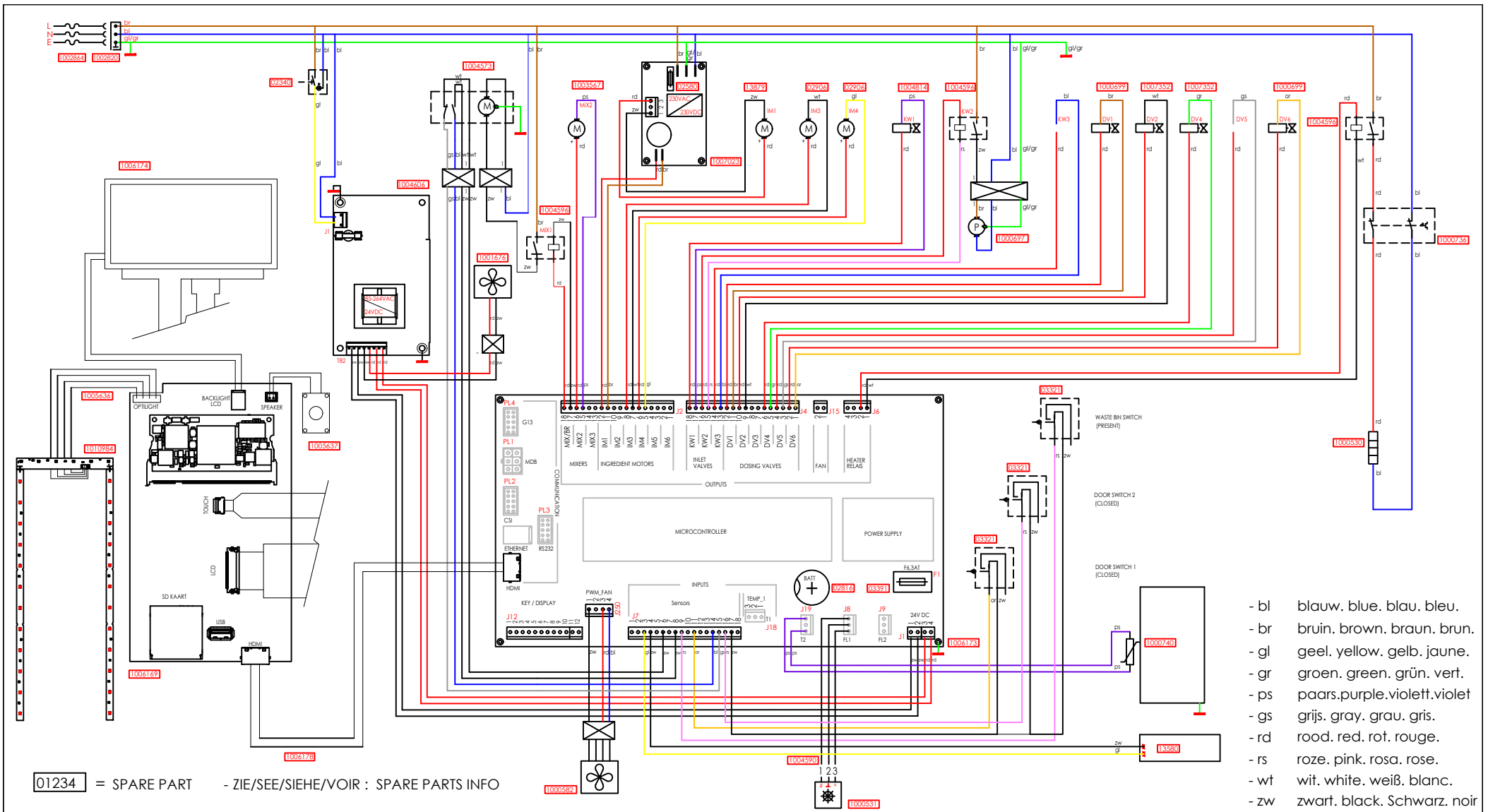


Type : OPTIBEAN 2 XL TOUCH I / B / W
 Articulenumber : 1004560 / 1004905 / 1005006
 Rated voltage : 1N ~220-240V 50-60Hz 2100W

From mach.nr. : 4Z28737
 Date : 11-2016
 Drawer : TJ
 Date : 16-11-2016

Drawing nr. : S1004560
 Rev. : 1.3 Page : 1-1
Circuit Diagram

ANIMO
 www.animo.eu

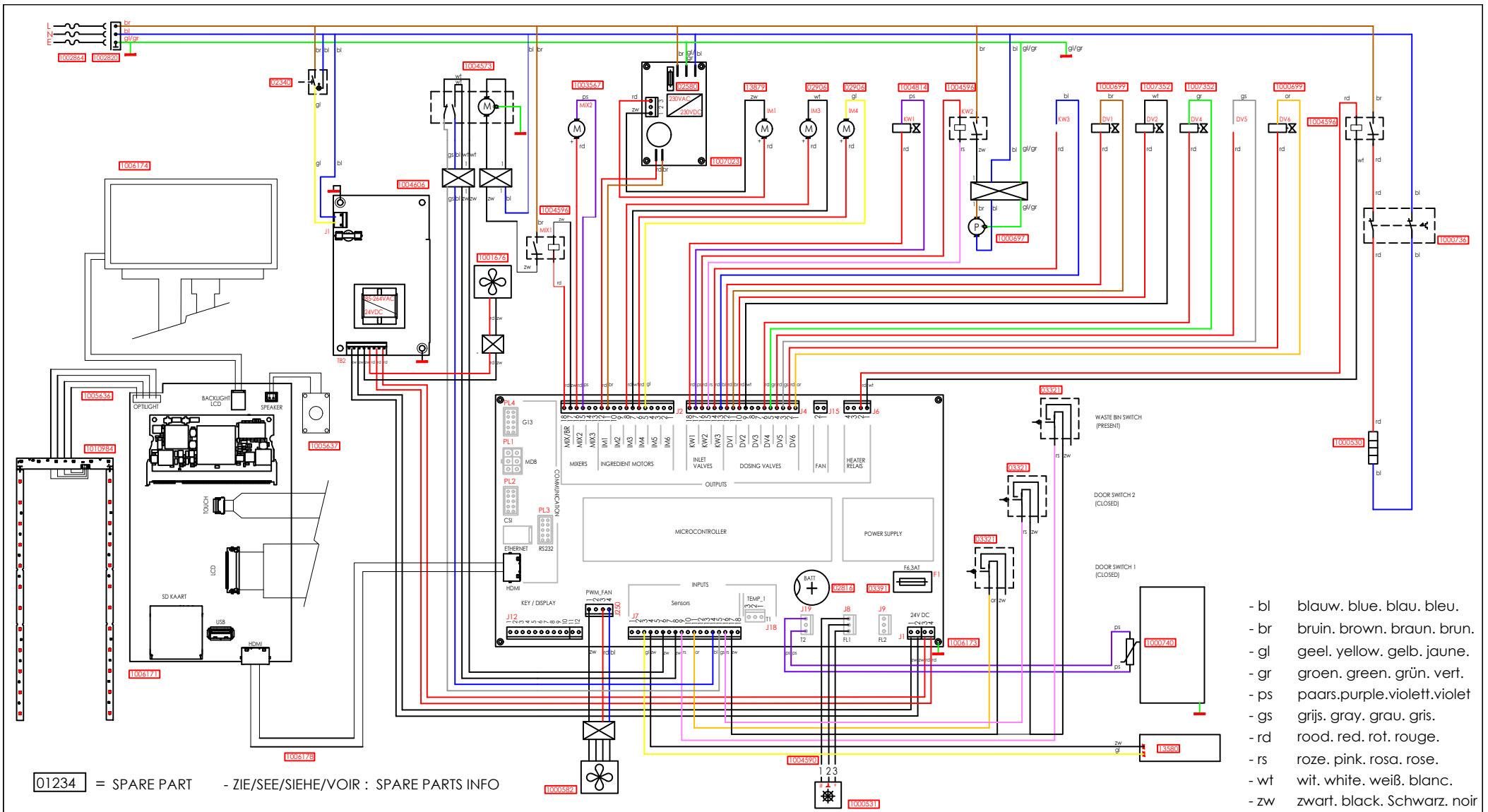



Type : OPTIBEAN 3 TOUCH I / B / W
 Articulenumber : 1004561 / 1004906 / 1005007
 Rated voltage : 1N ~220-240V 50-60Hz 2100W

From mach.nr. : 4Z28737
 Date : 11-2016
 Drawer : TJ
 Date : 16-11-2016

Drawing nr. : S1004561
 Rev. : 1.3 Page : 1 -1
Circuit Diagram





Type : OPTIBEAN 3 XL TOUCH I / B / W Articulenumber : 1004562 / 1004907 / 1005008	From mach.nr. : 4Z28737 Date : 11-2016	Drawing nr. : S1004562 Rev. : 1.3 Page : 1-1	 www.animo.eu
	Drawer : TJ Date : 16-11-2016	<h2>Circuit Diagram</h2>	
Rated voltage : 1N ~220-240V 50-60Hz 2100W			