

DELICIOUS  
FRESH  
**FILTER  
COFFEE**



OptiFresh  
*Machine with taste.*

**ANIMO**



# ALWAYS FRESH FILTER COFFEE

Sometimes you take quality time for a coffee, sometimes you need to go back to work quickly. That's fine, because with the OptiFresh of Animo you can enjoy a delicious cup of coffee, ready in seconds.

No matter where- or how busy you are.

The OptiFresh brews delicious freshly filtered coffee and many variations. Full of taste and at the perfect temperature. For extra energy.



OptiFresh. *Machine with taste.*

# EASY TO OPERATE

The OptiFresh of Animo is easy to operate with easy-to-swipe touchscreen. The machine can be placed practically anywhere and it is simple to use. Brew freshly filtered coffee, cappuccino or tea in a matter of seconds, with just one touch. It's as simple as that.

- + Easy to operate through intuitive user interface.
- + Simply swipe between pages.
- + 24 easily programmable beverages.
- + Follow the brewing process onscreen.
- + Personal strength preferences are easily adjustable.
- + Screensaver for logo, images, video or advertisement.



OPTIFRESH TOUCH



# FRESHLY BREWED

A good machine is what makes good coffee. At Animo, this has been proven throughout the years. This vision is also shared by the ECBC in Oslo. This is why they have a special test procedure and certification to provide fresh-brew dispensers for the professional market with a quality standard. Precise control of time and temperature ensure that the right amount of flavour and aroma is extracted from the coffee beans. Not too much and certainly not too little. With a certified machine, these conditions are met.



The smell of fresh filter coffee. So familiar and always delicious. Coffee is available in many flavors, but no matter what variant you choose, coffee gives you energy. Pure black, foamy cappuccino or latte macchiato. The OptiFresh of Animo has it all. It is modern but brews authentic delicious coffee. And of course hot water for tea and instant drinks like hot chocolate. The OptiFresh of Animo: A machine with taste.

- + The OptiFresh makes fresh filter coffee at anytime (fresh brew).
- + You can choose from many coffee varieties, including cappuccino, latte and latte macchiato.
- + The cup tray is adjustable to different heights to enable the use of tall glasses and thermos jugs.
- + The canisters are easy to refill.
- + The strength of the coffee is easily adjustable to suit personal preferences, because tastes differ.
- + The OptiFresh also makes instant (powdered) drinks like chocolate.
- + The mixer system has an adjustable mixer speed (rpm) for an excellent topping.
- + There is a separate outlet for hot water, so tea always tastes like it should.



- + The OptiFresh is also available with grinder: the OptiFresh Bean. (Bean to cup)



- + Wide choice of coffee varieties, including cappuccino, latte and latte macchiato.



- + Separate outlet for hot water.



+ OPTIFRESH BEAN TOUCH

# DURABLE QUALITY

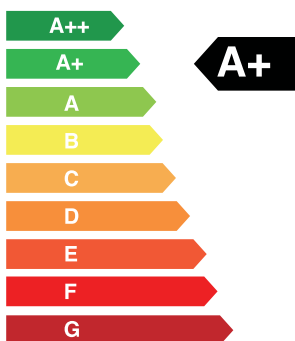
It is not easy to brew the most delicious fresh filter coffee. In order to do so, you need to use advanced technology and durable materials. The right solution: the OptiFresh, a modern machine that brews delicious filter coffee.

- + The proven technology ensures reliability.
- + Each machine has been extensively tested by hand.
- + Materials and construction are designed for minimal maintenance.
- + The OptiFresh remains reliable even with intensive use.
- + The OptiFresh Bean has a Swiss-made grinder with ceramic discs that ensures the perfect grind.

The OptiFresh does not only brew delicious fresh filter coffee, it is also durable. The materials and construction guarantee hassle-free use for years to come. And the OptiFresh is energy efficient, which is nice for you and the environment.

- + The primary material is stainless steel: long lasting and 100% recyclable.
- + The OptiFresh is very easy to maintain.
- + The machine is constructed entirely from durable materials.
- + Less waste and no replacement of filter rolls due to the permanent stainless steel filter.
- + With the A+ rating the OptiFresh is energy-efficient, thanks to:
  - LED lighting
  - Extra-insulated hot water tank (approx. 50% more efficient)
  - Intelligent Energy Saving Mode (in standby)
- + The grinder's ceramic discs (OptiFresh Bean) will last a lifetime.

## More efficient



## Less efficient

Norm EVA - Energy Measurement Protocol (version 3. 0B - 14/2/2011)



# ATTRACTIVE DESIGN

The OptiFresh is designed to quickly brew the most delicious fresh filter coffee. But appearance does matter as well. Therefore the design is not only inviting but also functional and elegant.

- + Clean and friendly design.
- + Available with easy-to-swipe touchscreen.
- + Inviting and user-friendly user-interface.
- + The OptiFresh is made from stainless steel with subtle detailing.
- + LED / OptiLight lighting can be adjusted to your own preference.
- + The OptiFresh feels at home in any interior style.
- + Coloured front in any RAL colour (standard model comes in black).
- + Company-specific branding on the exterior of the machine (e.g. for private label purposes).

With its timeless and friendly design the OptiFresh of Animo can be placed in any surrounding.

- + Office
- + Hotel
- + Restaurant
- + Kiosk
- + Sports club
- + Supermarket
- + Care home
- + Hospital
- + Exhibition center
- + Airport
- + School
- + Canteen
- + Breakfast room
- + Theater
- + Gas station





+ OPTIFRESH TOUCH

# MODELS AND MENUS

- + Every cup freshly made.
- + Easy to operate.
- + Available with easy-to-swipe touchscreen.
- + Strength control (also for milk and sugar).
- + Permanent stainless steel filter.
- + Separate taps for coffee and hot water.
- + Usage counter.
- + Suitable for cups and thermos jugs.
- + The bean, fresh brew and instant canisters are easy to refill.
- + OptiLight LED lighting.
- + Intelligent Energy Saving Mode.
- + Cleaning program (on the control panel).
- + Large waste bin for coffee residue.
- + Descale indicator.
- + Signal when the waste canister or drip tray is full.
- + Four adjustable feet for optimal stability.
- + Insulated stainless steel with dry-boil protection.
- + Bean canister (OptiFresh Bean).
- + Coffee grinder with ceramic burrs (OptiFresh Bean).
- + Energy label A+.

## DRINK OPTIONS

The drink options depend on the ingredients that you select for each canister. Adjustable controls make it easy to change the options.

DRINK OPTIONS	OF(B) 1	OF(B) 2	OF(B) 3	OF(B) 4
Coffee (thermos jugs)	✓	✓	✓	✓
Coffee with milk		✓	✓	✓
Coffee with sugar			⊙	✓
Coffee with milk and sugar			⊙	✓
Chocolate milk		⊙	✓	✓
Coffee choc		⊙	✓	✓
Cappuccino		✓	✓	✓
Wiener Melange			✓	✓
Latte Macchiato		✓	✓	✓
Espresso	⊙	⊙	⊙	⊙
Double Espresso	⊙	⊙	⊙	⊙
Hot water	✓	✓	✓	✓
Tea		⊙	⊙	⊙
Cappuccino with sugar			⊙	✓
Espresso with sugar			⊙	⊙
Espresso Choc		⊙	⊙	⊙
Hot chocolate			⊙	⊙
Hot milk		⊙	⊙	⊙
Cold water	◆	◆	◆	◆

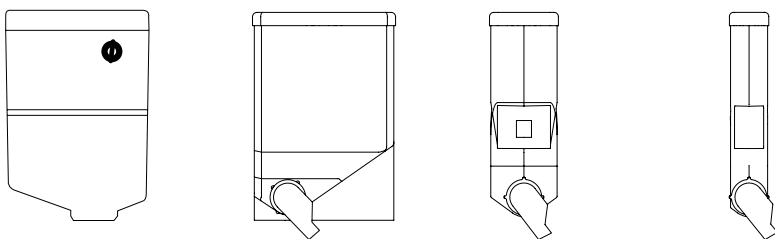
✓ STANDARD FACTORY SETTINGS

⊙ ADJUSTABLE (DEPENDING ON CHOSEN INGREDIENTS)

◆ POSSIBLE WITH A COOLING UNIT IN THE BASE CABINET

## CAPACITY OF OPTIFRESH CANISTERS

Depending on the number of canisters, the OptiFresh (Bean) has capacity for the following quantities of ingredients.



	5,9 l	5,1 l	2,3 l	1,2 l
Coffee beans	± 2200 gr / 290 cups	-	-	-
Fresh brew coffee	-	± 1800 g / 230 cups	-	-
Topping	-	± 3200 g / 210 cups	± 1350 g / 80 cups	± 750 g / 50 cups
Cocoa	-	± 3600 g / 200 cups	± 1500 g / 85 cups	± 800 g / 45 cups



### OPTIFRESH

(4 versions)

- + 1 fresh brew coffee canister
- + Instant canisters: max. 3
- + Push Button or Touchscreen
- + W 409 x D 575 x H 773 mm



### OPTIFRESH BEAN (BEAN TO CUP)

(4 versions)

- + 1 bean canister
- + Instant canisters: max. 3
- + Push Button or Touchscreen
- + W 409 x D 575 x H 865 mm

# TECHNICAL SPECIFICATIONS

- + Brewing time, cup (120 ml): 28 seconds.
- + Hourly capacity: 130 cups (120 ml) / 15 l.
- + Display OptiFresh (Bean) Touch: 7" touchscreen.
- + Rated power: 1N~230V / 50-60Hz / 2300W.
- + Adjustable cup tray: 60 - 115 mm.
- + Max. tap height: 167 mm.
- + Stainless steel boiler capacity: 3 l.
- + Water connection: 3/4".
- + Waste canister volume 6,7 l (± 125 cups).



- + Permanent stainless steel filter.



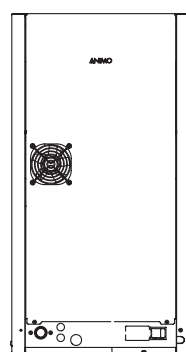
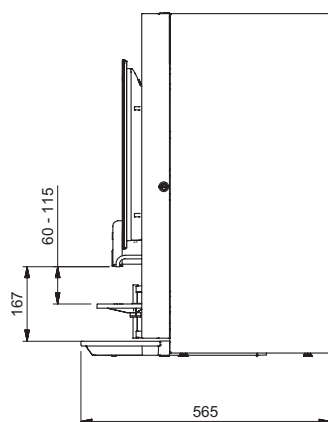
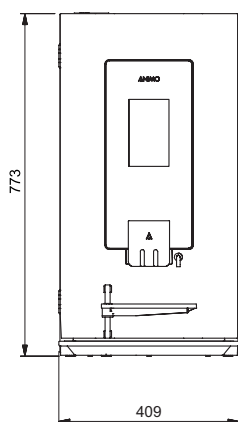
- + Ceramic grinding mechanism (Ditting®) for ultra long-life (± 150.000 cups).

## OPTIFRESH TOUCH

All dimensions in mm

SIDE VIEW RIGHT

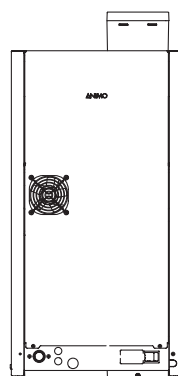
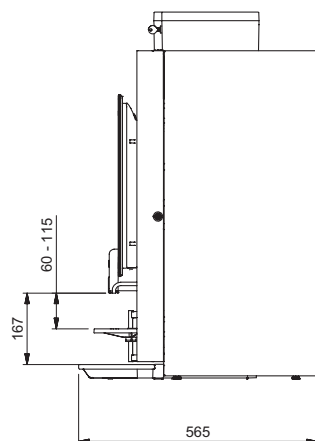
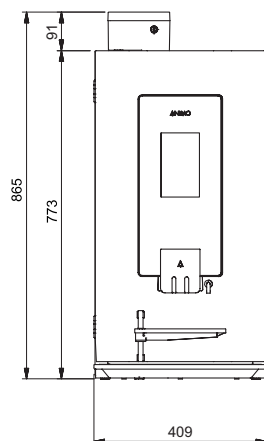
BACK SIDE



## OPTIFRESH BEAN TOUCH

SIDE VIEW RIGHT

BACK SIDE



# OPTIONS AND ACCESSORIES

## OPTIONS

- + Cup detection, so coffee can only be made when a cup is present.
- + Compatible with various payment systems (MDB).
- + Hot and cold from one machine (cooling unit in lower cabinet).
- + OptiFresh Decafé. The coffee canister is replaced by two separate canisters for fresh brew coffee and decafé.
- + Company-specific branding on the exterior of the machine.
- + Heightening base for large thermos jugs.



- + Coin mechanism, coin changer (nri) or cashless payment system



- + Cup detection

## ACCESSORIES

- + Cup warmer (KKWn)
- + Thermos jug 1 l
- + Coffee fur remover
- + Coffee fur remover (liquid)
- + Cleaning kit
- + Grindz™ coffee grinder cleaner (OptiFresh Bean)



- + Base cabinet  
Useful for storing ingredient refills, sugar, milk and stirrers. The rear panel is recessed to make room for connections and, possibly, a filter.



- + Water filter  
Filtering reduces the risk of limescale to keep your machine running smoothly and your coffee top quality.



- + Stand-alone set  
No main water supply? Use the Flojet water pump. The complete set consists of a pump, water tank and six-meter connecting hose, which can be easily installed in a base cabinet.



- + Cup dispenser  
Stainless-steel cup dispenser, suitable for different sizes of coffee cups. Suitable for wall mounting.



- + Canister extension for beans (OptiFresh Bean)  
With this canister extension, the bean canister capacity will increase by 700 g.

# ANIMO

We make coffee machines and equipment for people who want to serve good coffee. User-friendly machines with a variety of options that are durable and convenient to maintain.

Our machines deliver a wide range of fresh, hot beverages time after time. Everything from freshly ground espresso, cappuccino or latte macchiato to tea, hot chocolate and instant soup.

We've been doing business since 1950 in more than 100 countries worldwide.

Because good coffee takes a good machine. And a good machine takes experience, expertise and dedication.

DEDICATED TO EVERY CUP





Optima



ANIMO



# ANIMO.EU

Animo B.V.  
Headquarters  
Assen - Netherlands

Sales Netherlands  
Export Department  
info@animo.nl  
+31 (0)592 376 376

Animo Belgium  
Belgium  
info@animo.be  
+32 (0)33 130 308

Animo France  
France  
info@animo-france.fr  
+33 (0) 3 80 25 06 60

Animo GmbH  
Germany  
info@animo-gmbh.de  
+49 (0)541 971 250

1006837 REV. 3.0 23102023

ANIMO

