

Animo

1. Thermostat
2. Main switch green
3. Dry-boil safety guard
4. No-drip tap
5. Filling opening for waterjacket
6. Gauge glass waterjacket

General

MWR 5

- Contents : 5 litres
Electronic connection : 1N~220-240V/50-60Cy/3200W
Heating time : cold water; 22 min.
hot water; 12 min.

MWR 10

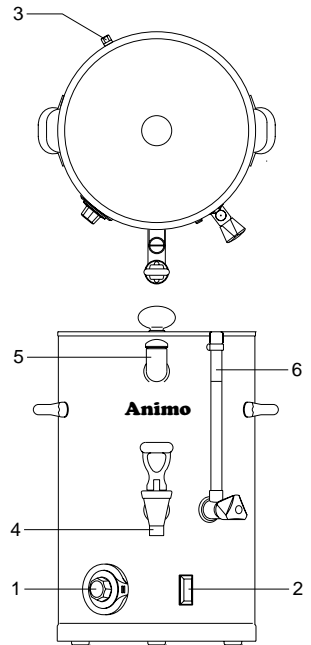
- Contents : 10 litres
Electronic connection : 1N~220-240V/50-60Cy/3200W
Heating time : cold water; 40 min.
hot water; 25 min.

MWR 20

- Contents : 20 litres
Electronic connection : 1N~220-240V/50-60Cy/3200W
Heating time : cold water; 75 min.
hot water; 60 min.

MWR 40

- Contents : 40 litres
Electronic connection : 1N~220-240V/50-60Cy/3200W
Heating time : it is to be recommended to preheat the milk with the 40 litres milkheater



Put in to use

- * Pour cold or hot water in the filling opening (5) till the water will be visible in the waterjacket.
- * Put the plug into the plug-contact.
- * Switch on the main switch (2).
- * Adjust the thermostat (1) on the right temperature.

Dry-boil safety guard

The milkheater is protected by a dry-boil safety guard. This protection will come in at too much scale deposit or when there is too little water in the waterjacket.

The resetknob of this dry-boil safety guard is mounted at the backside of the milkheater. Remove the black cap. By pressing the little knob, the boiler can be switched on again. However, notice that first of all the cause of the switching-off has to be determined.

--

--

--

--

--

--

--

Animo B.V. Headoffice
Dr. A.F. Philipsweg 47
P.O. Box 71
9400 AB Assen
The Netherlands
Tel. no. +31 (0)592 376376
Fax no. +31 (0)592 341751
E-mail: info@animo.nl
Internet: <http://www.animo.nl>

--

1199 Rev. 2 191000 **Animo** 09938



Accredited by
the Dutch Council
for Certification

